

8



8.1

8.2

8.3

8.4

8.5



8

1.

2.

3.

4.

5.

;

;

;



8

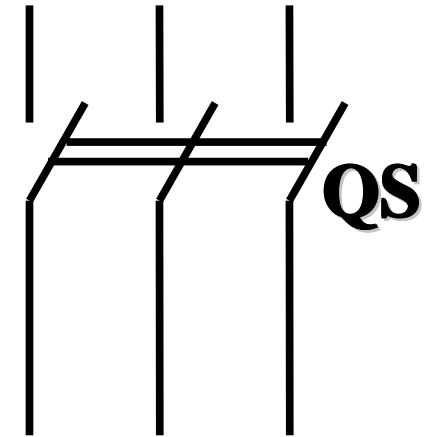


8.1

8.1.1

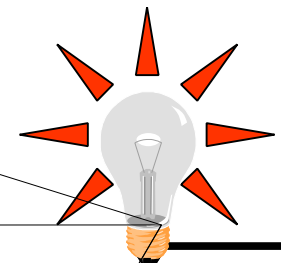
1.

380V 5.5kW



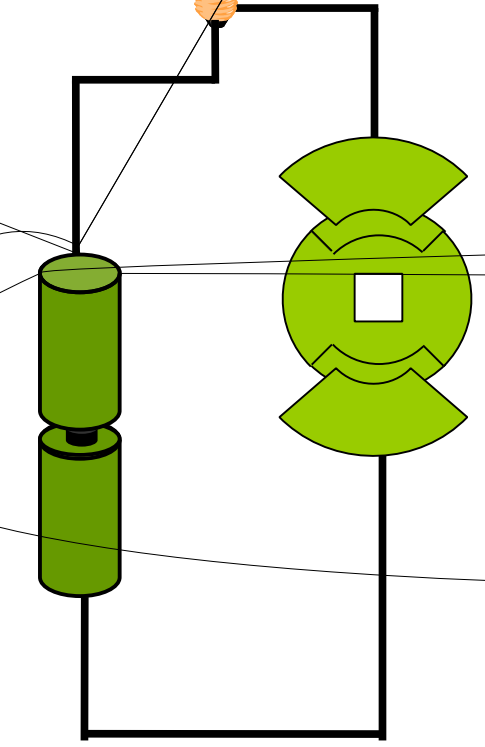
1.

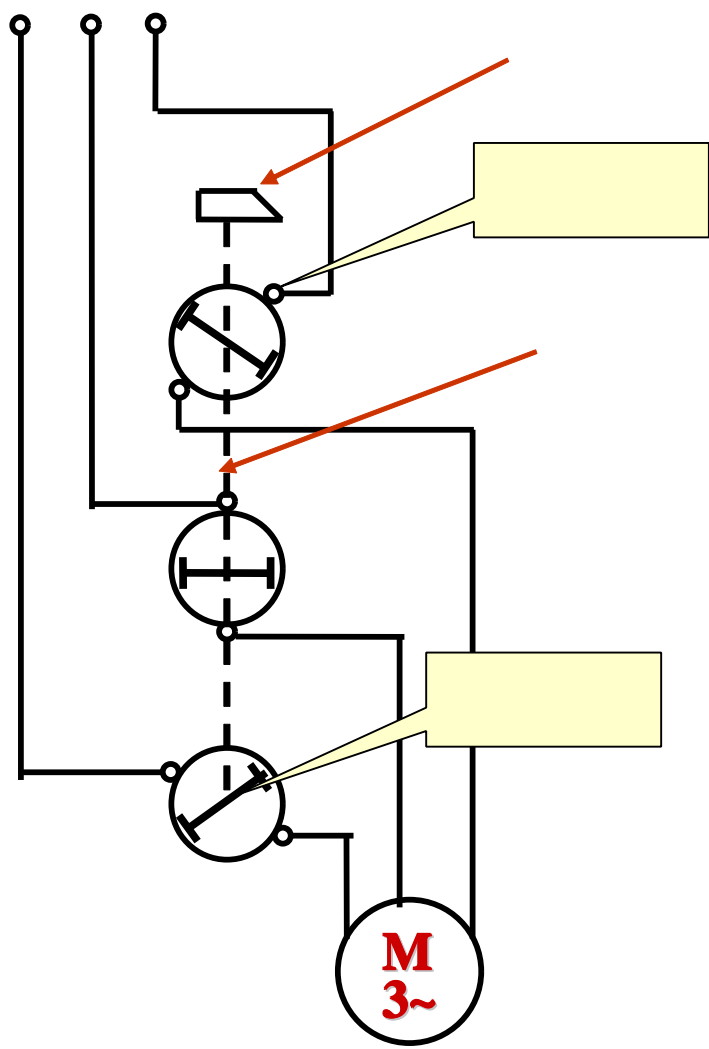
/



2.

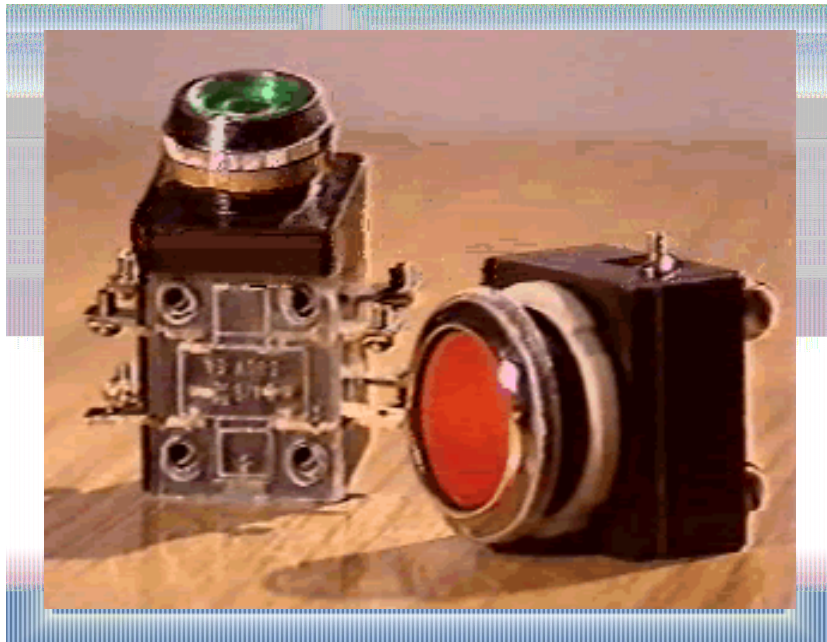
/



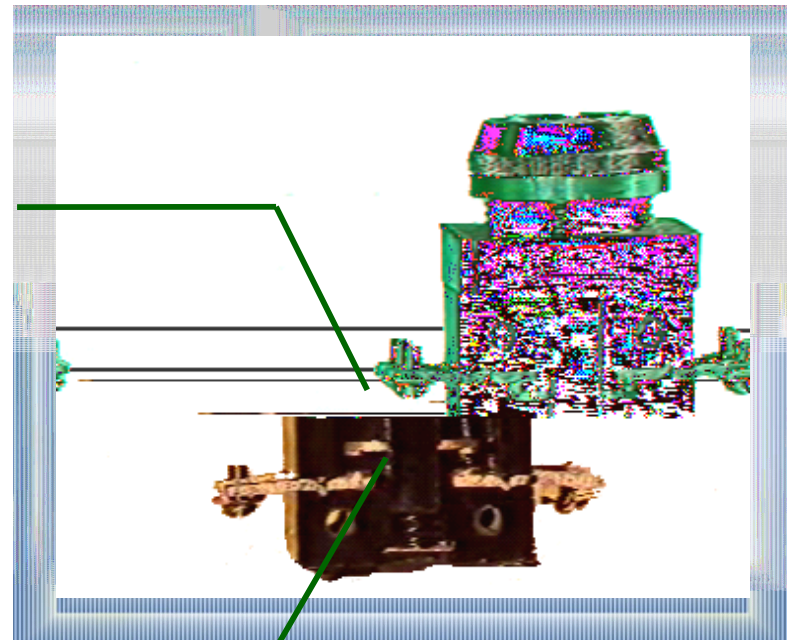


8.1.2

1.

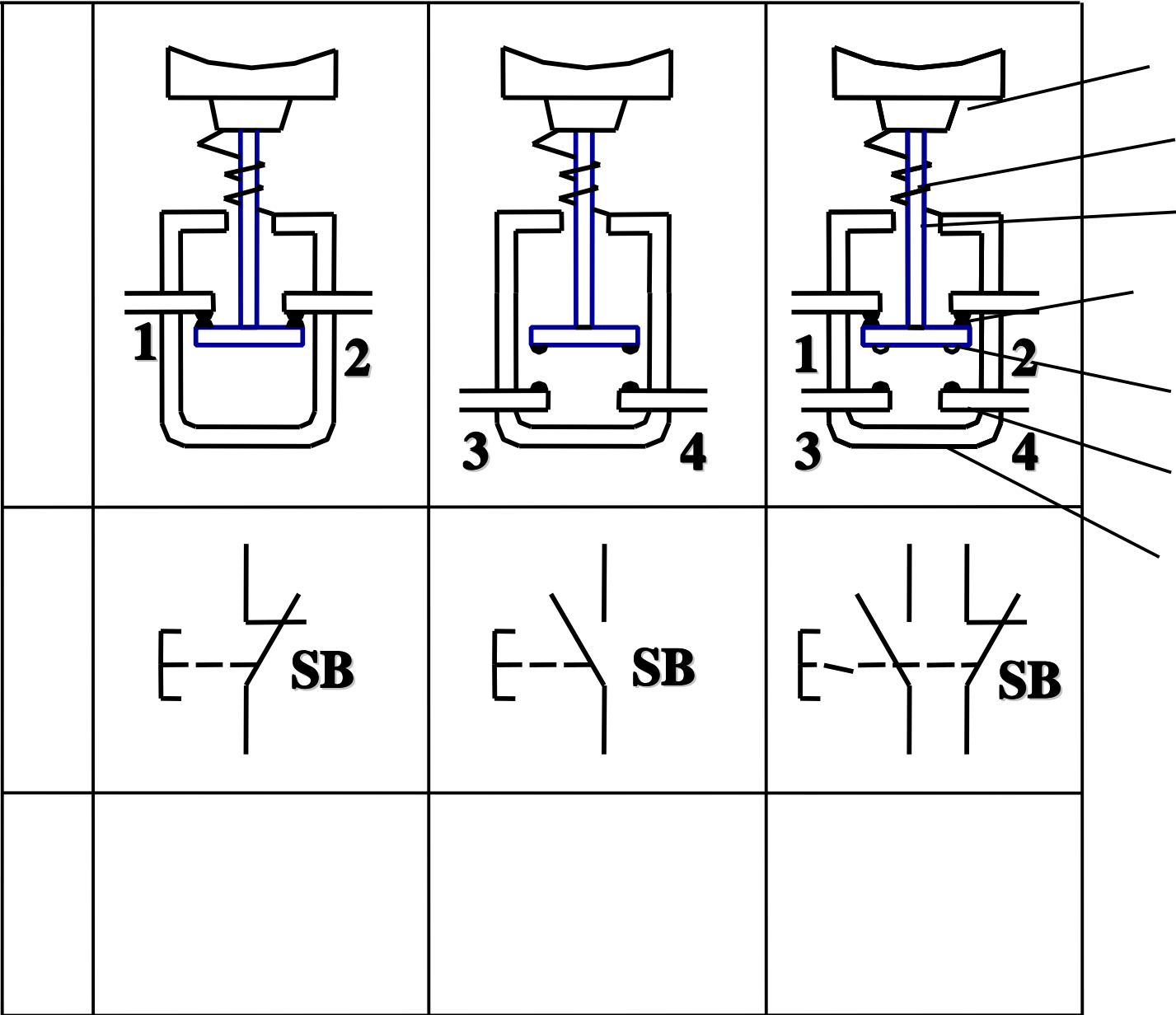


(a)

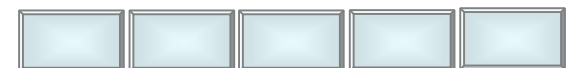
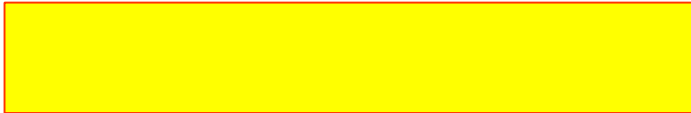
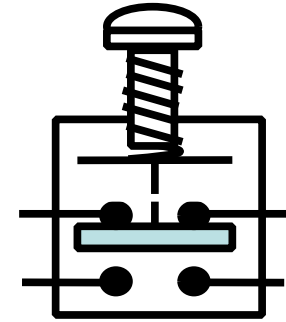


(b)



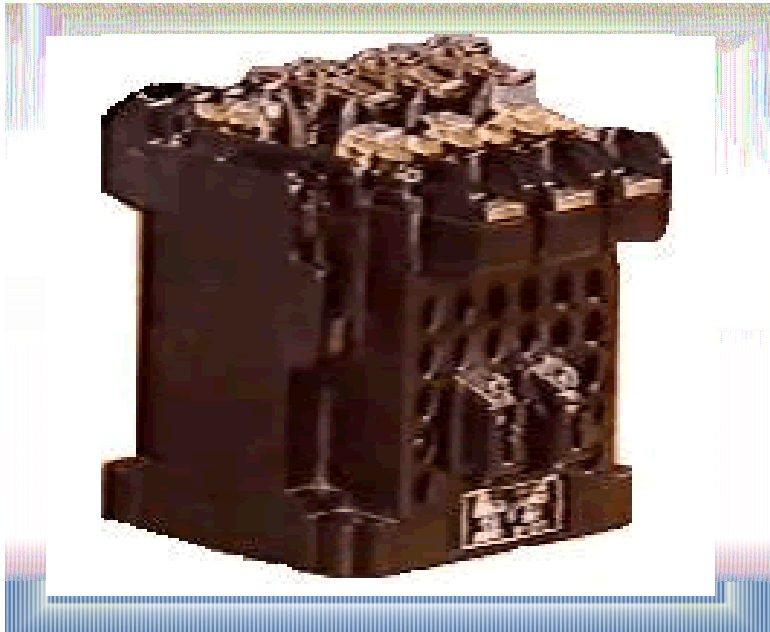


2.



8.1.3

1.



(a)



(b)

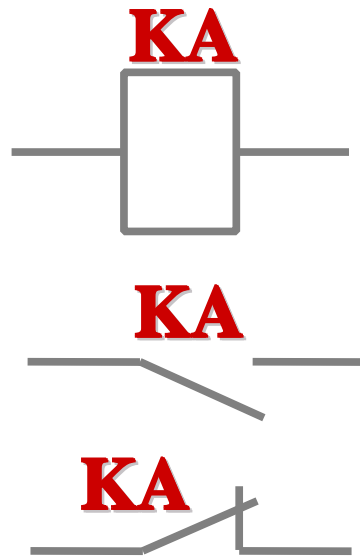


2.

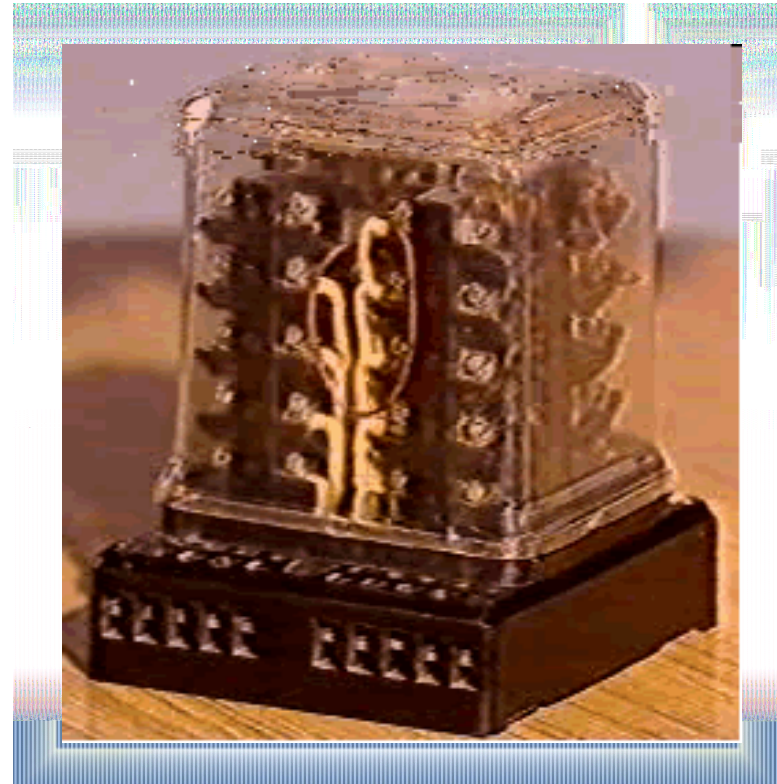
1



2



(b)



(a)

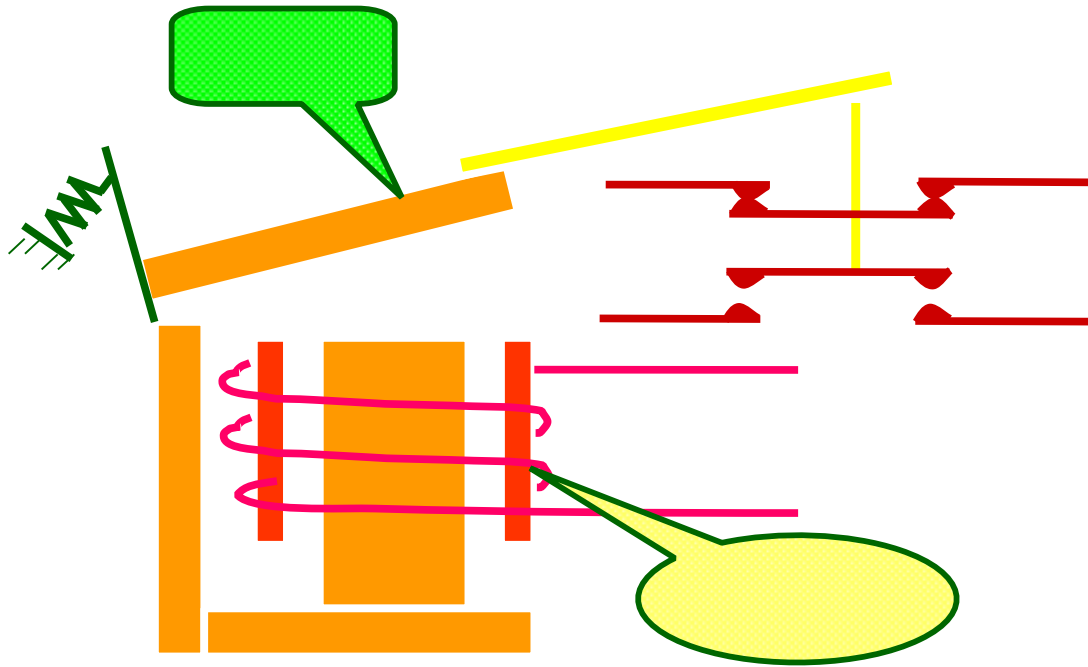


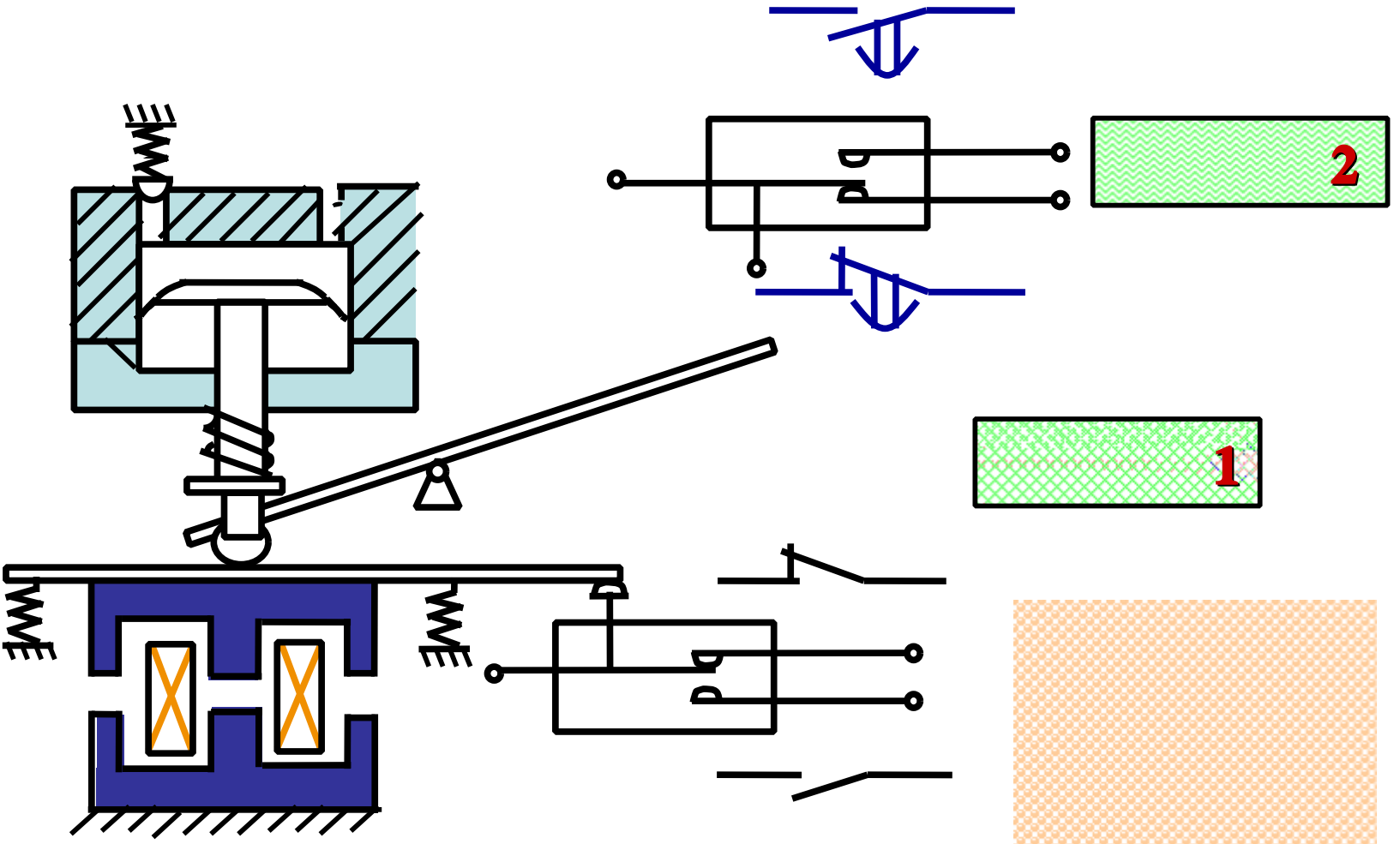
3

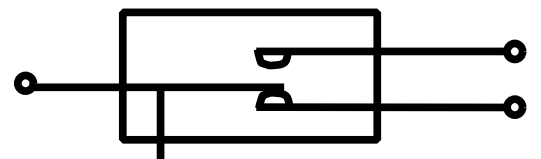
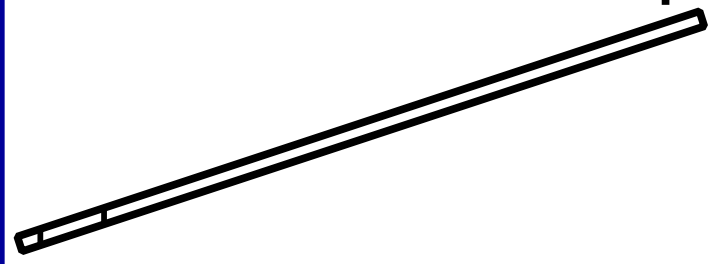
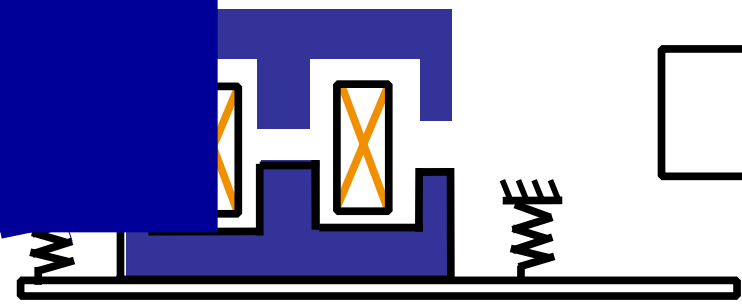
)

(

(a)





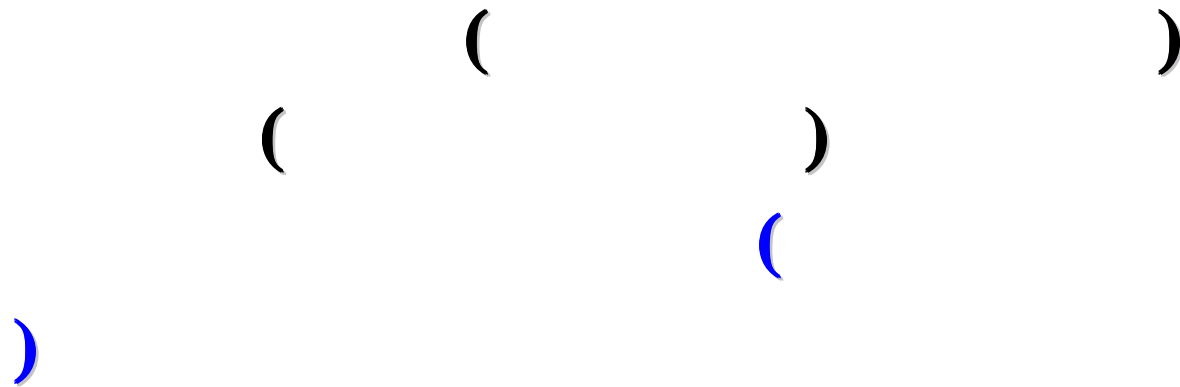


8.1.4

1.

2.

3.



4.

5.

()

8.1.5

(2)

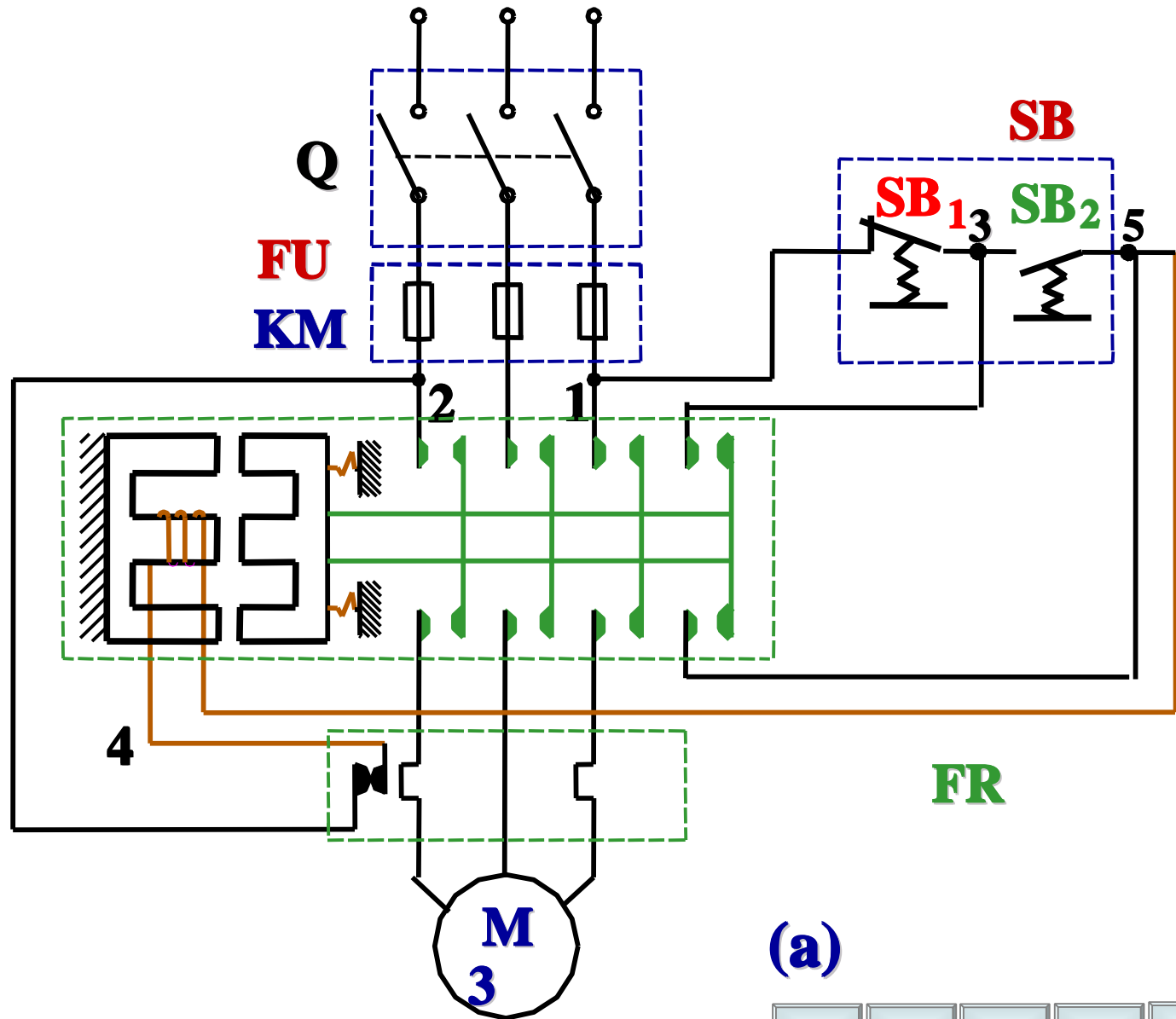
(3)



8.2

8.2.1

1.



(a)



FU

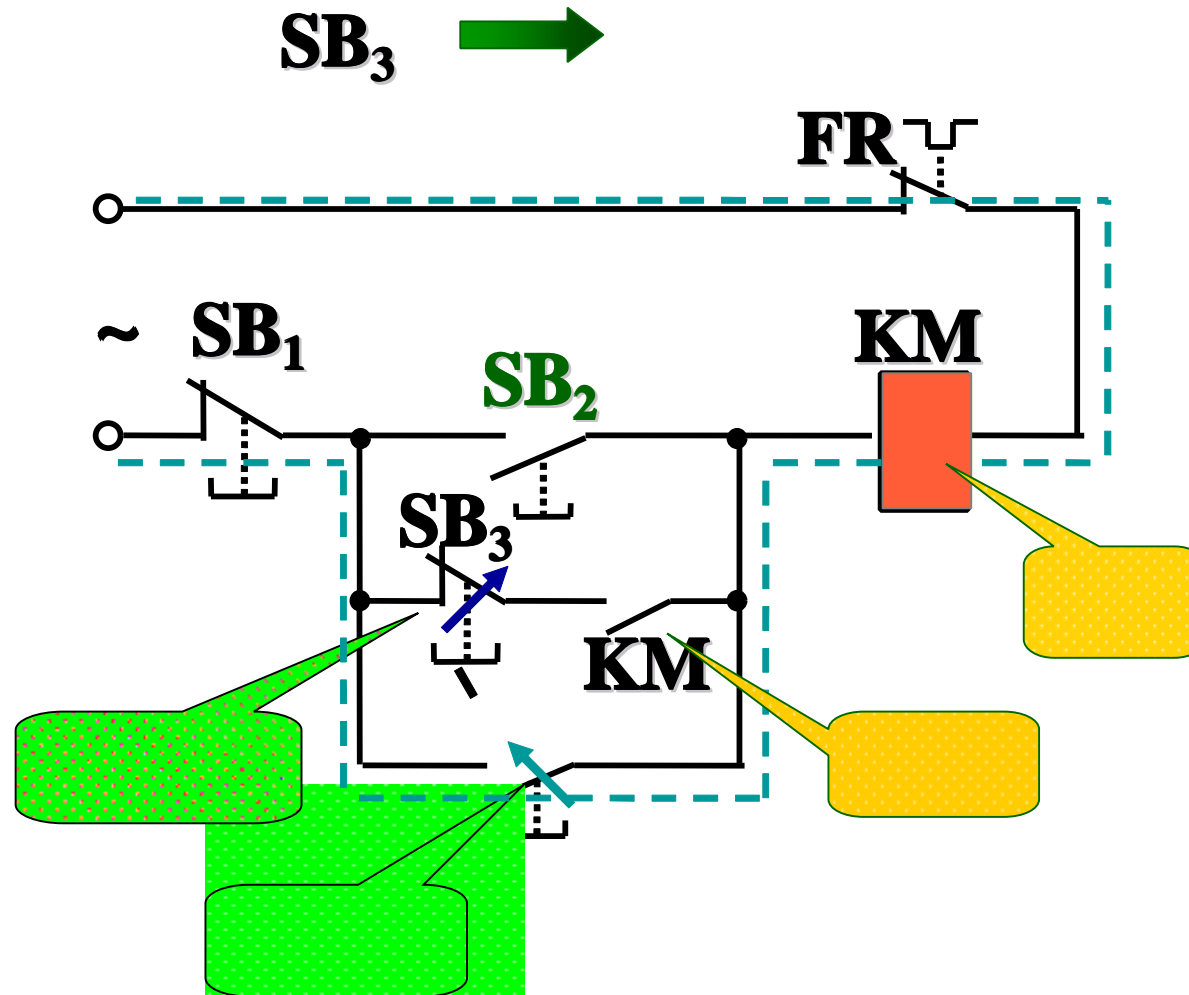
()

()

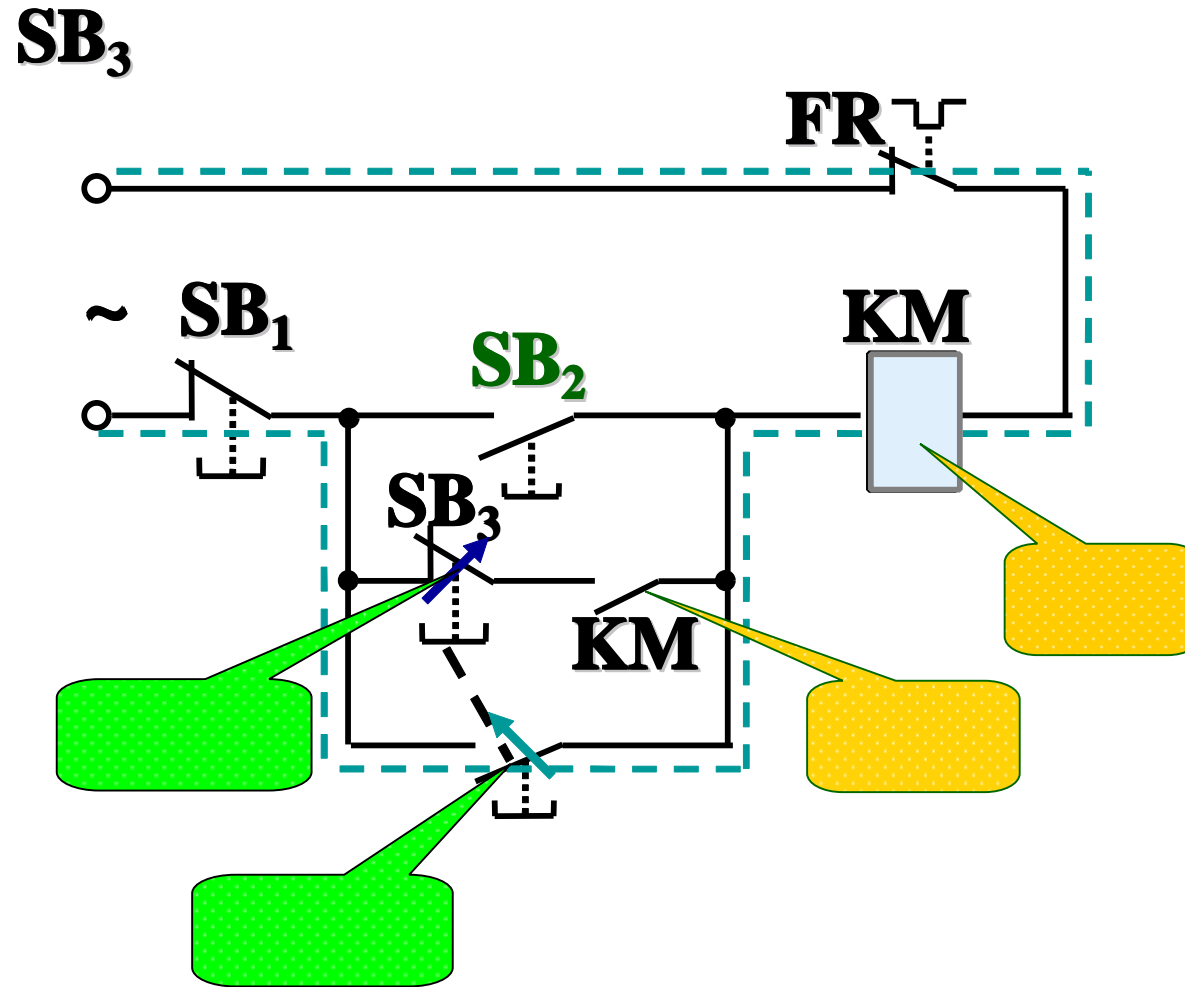




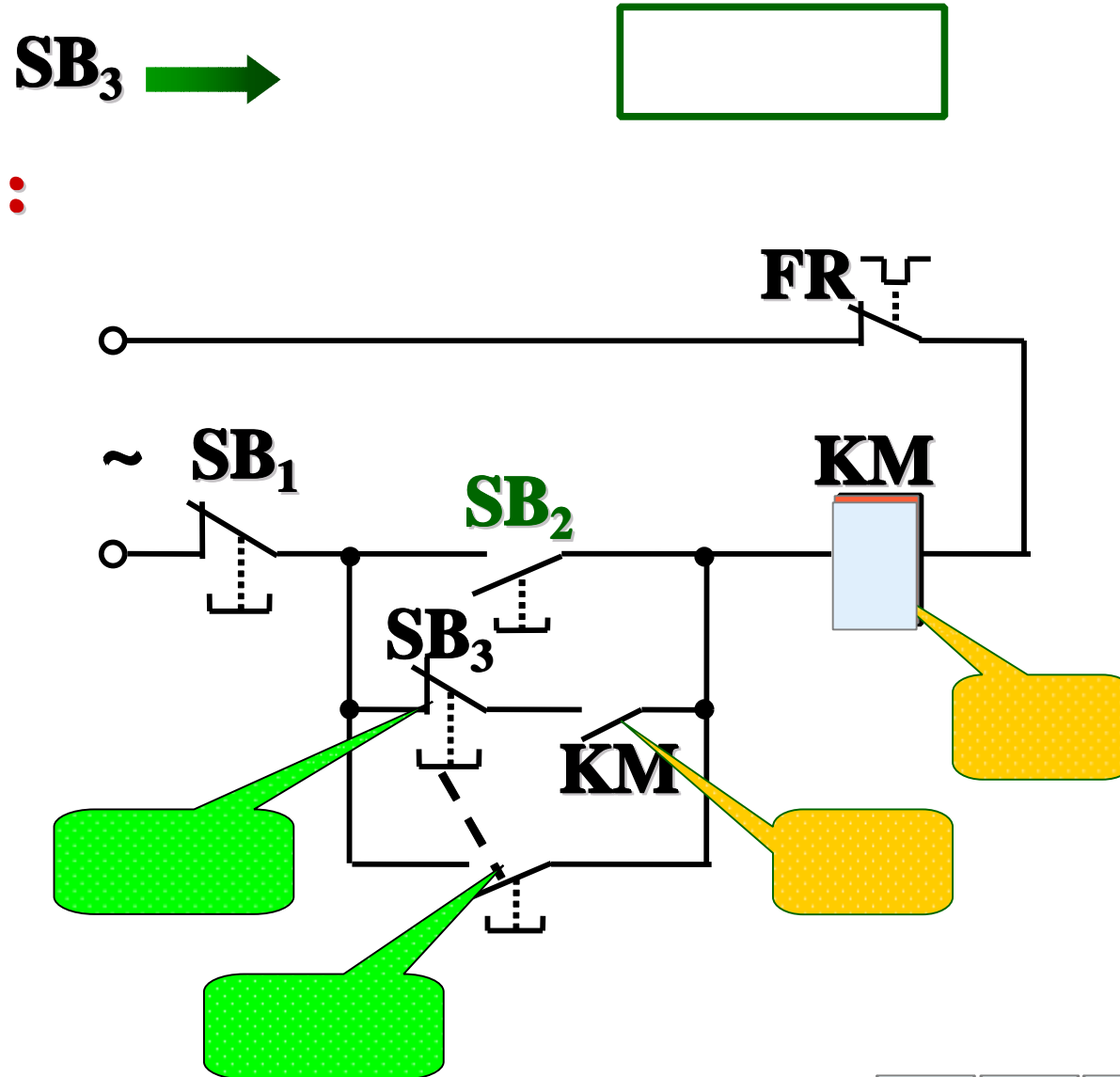
2.



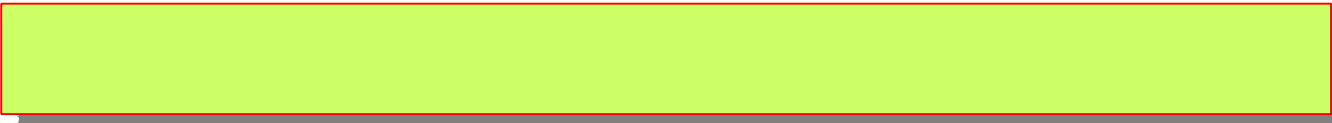
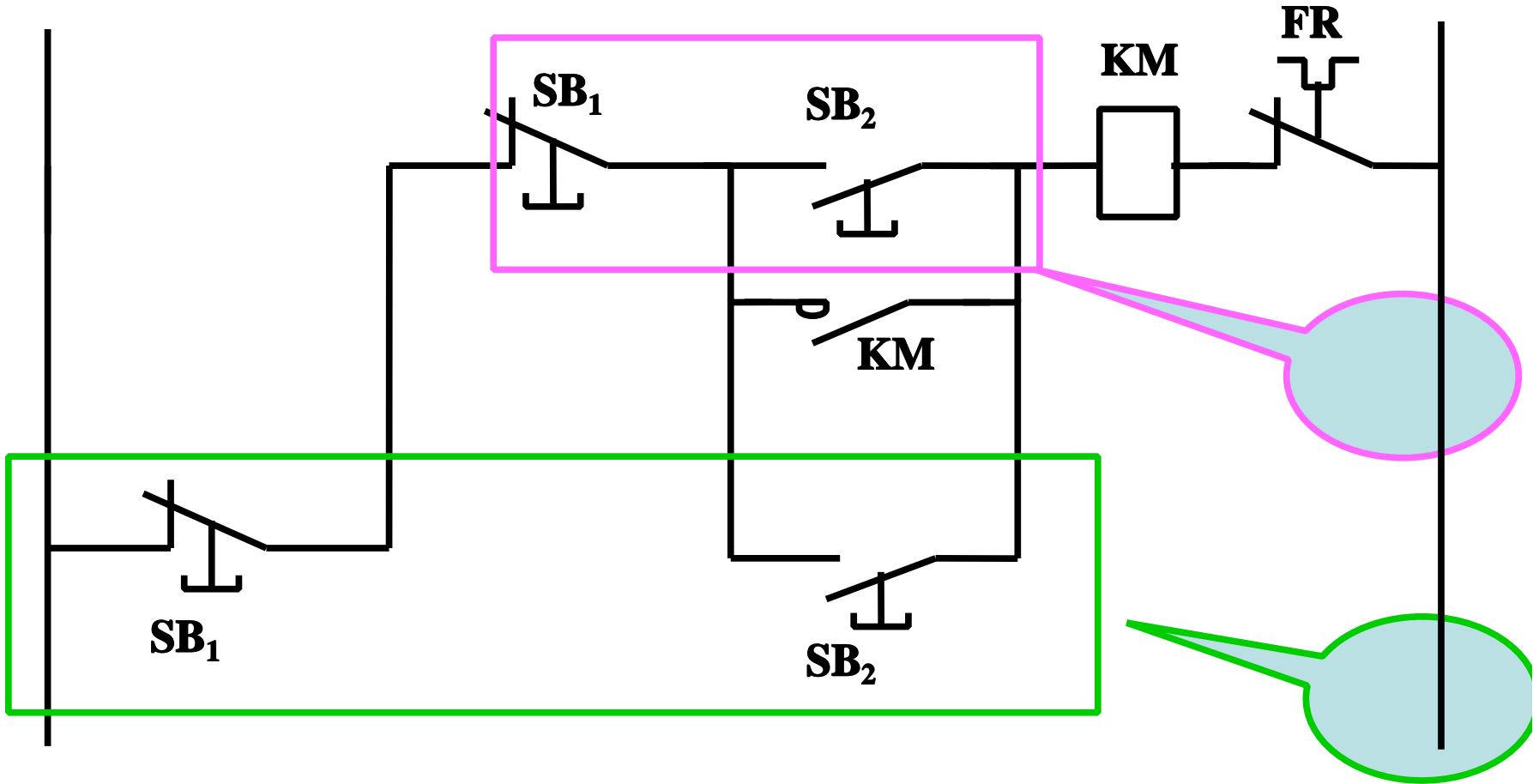
2.



2.



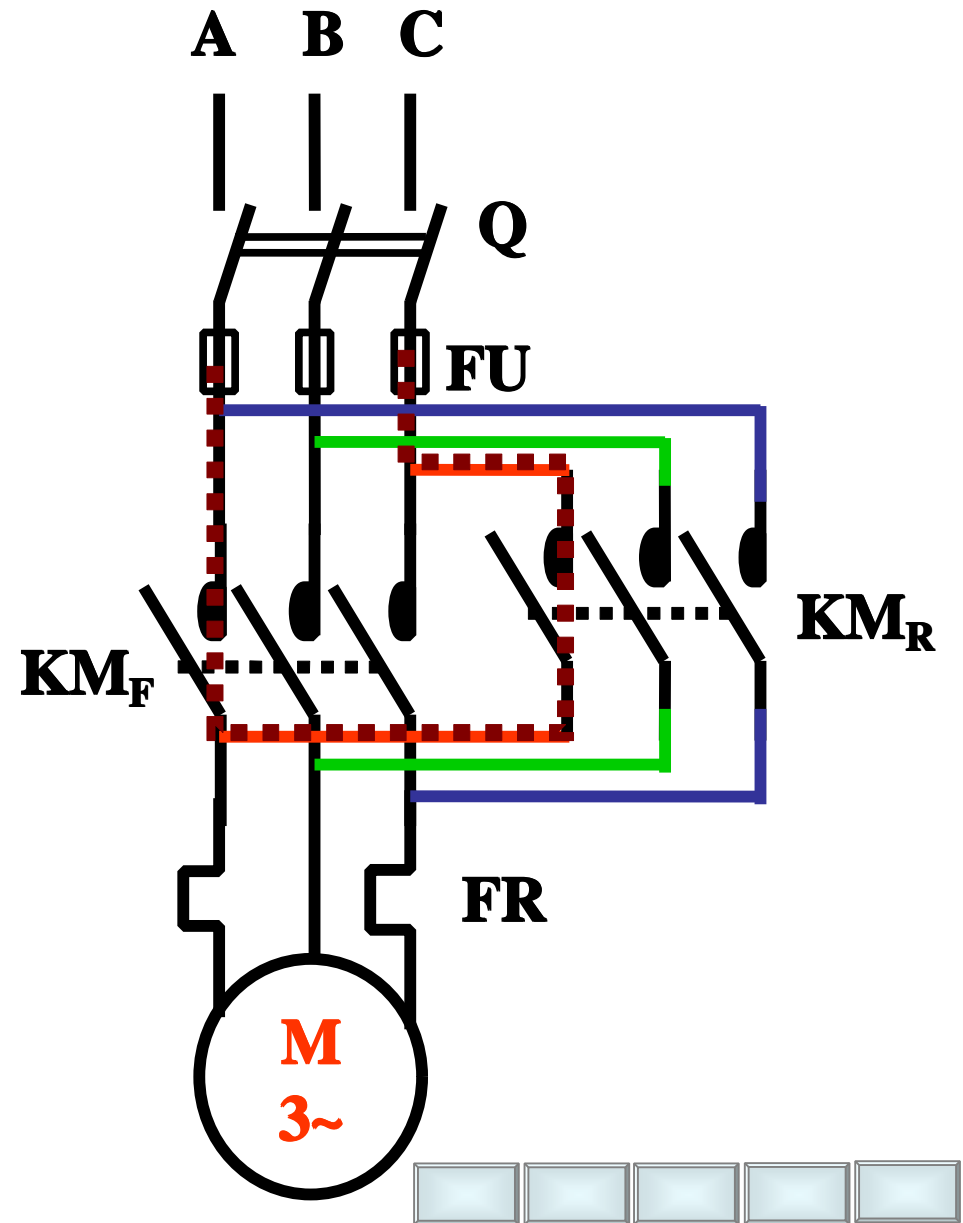
3.

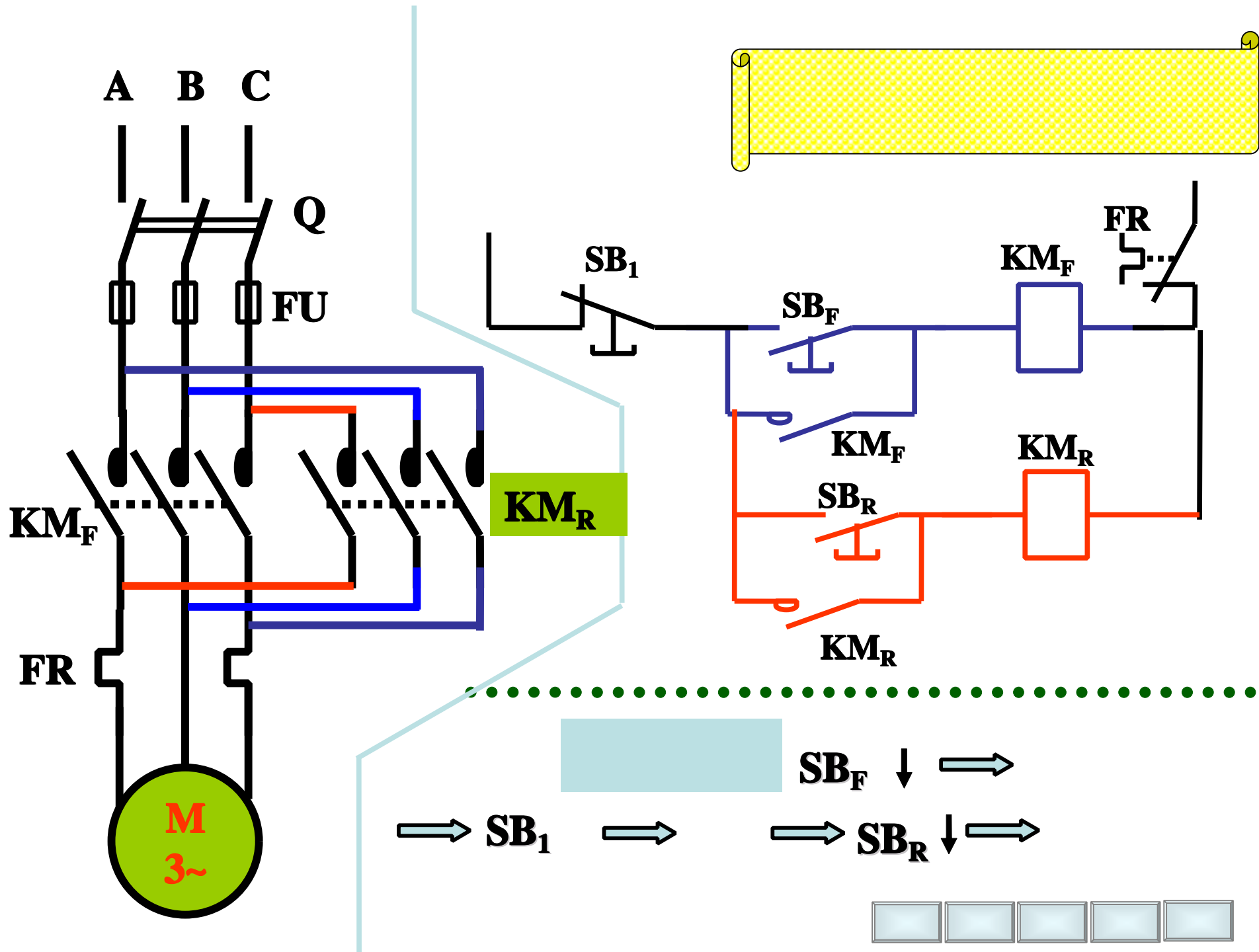


8.2.2

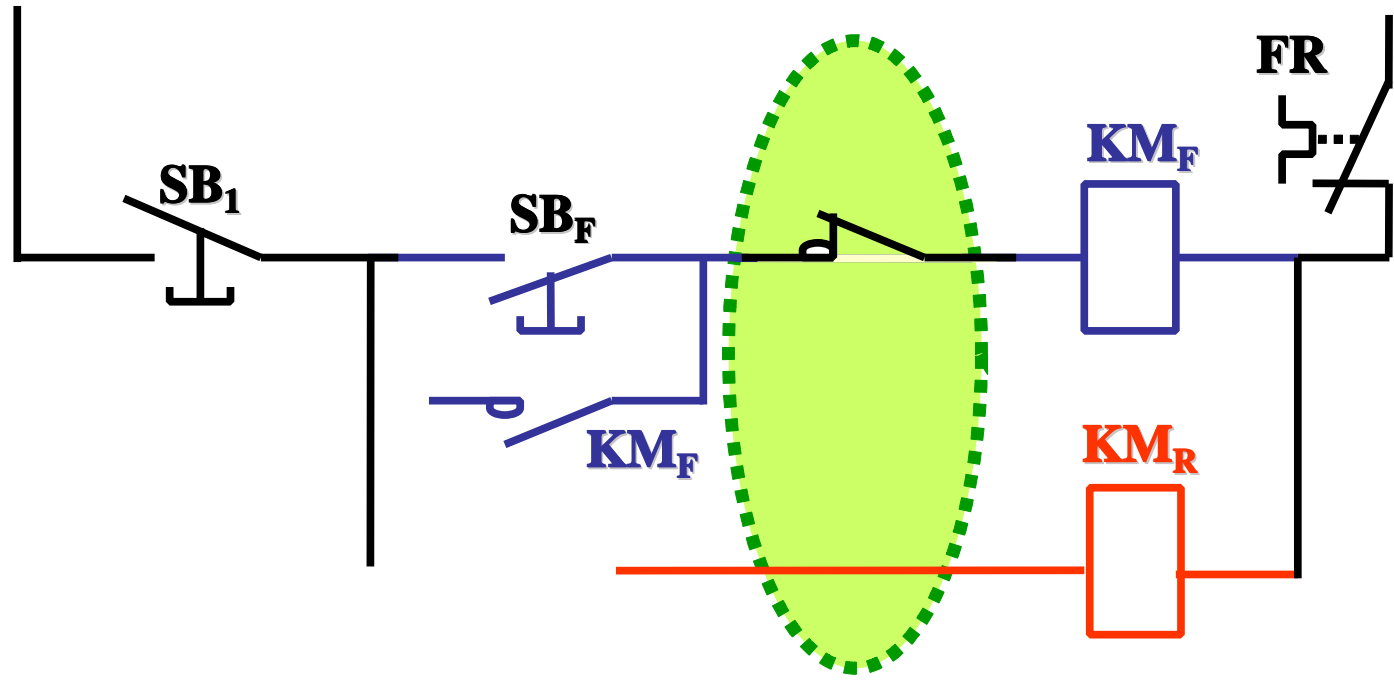
1.

2.





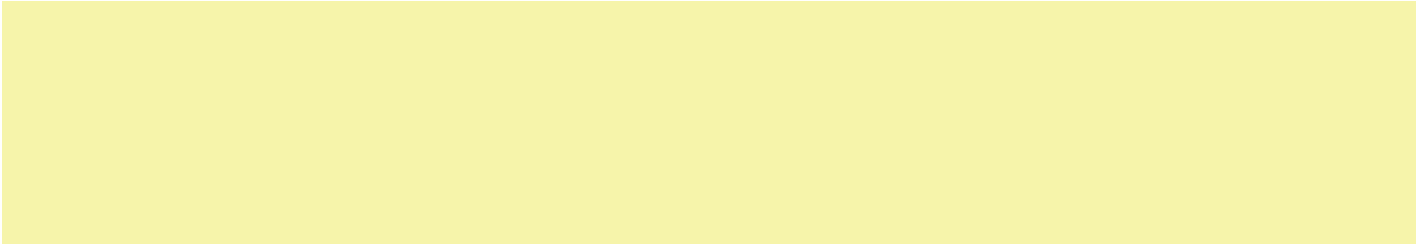
4.



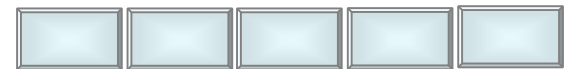
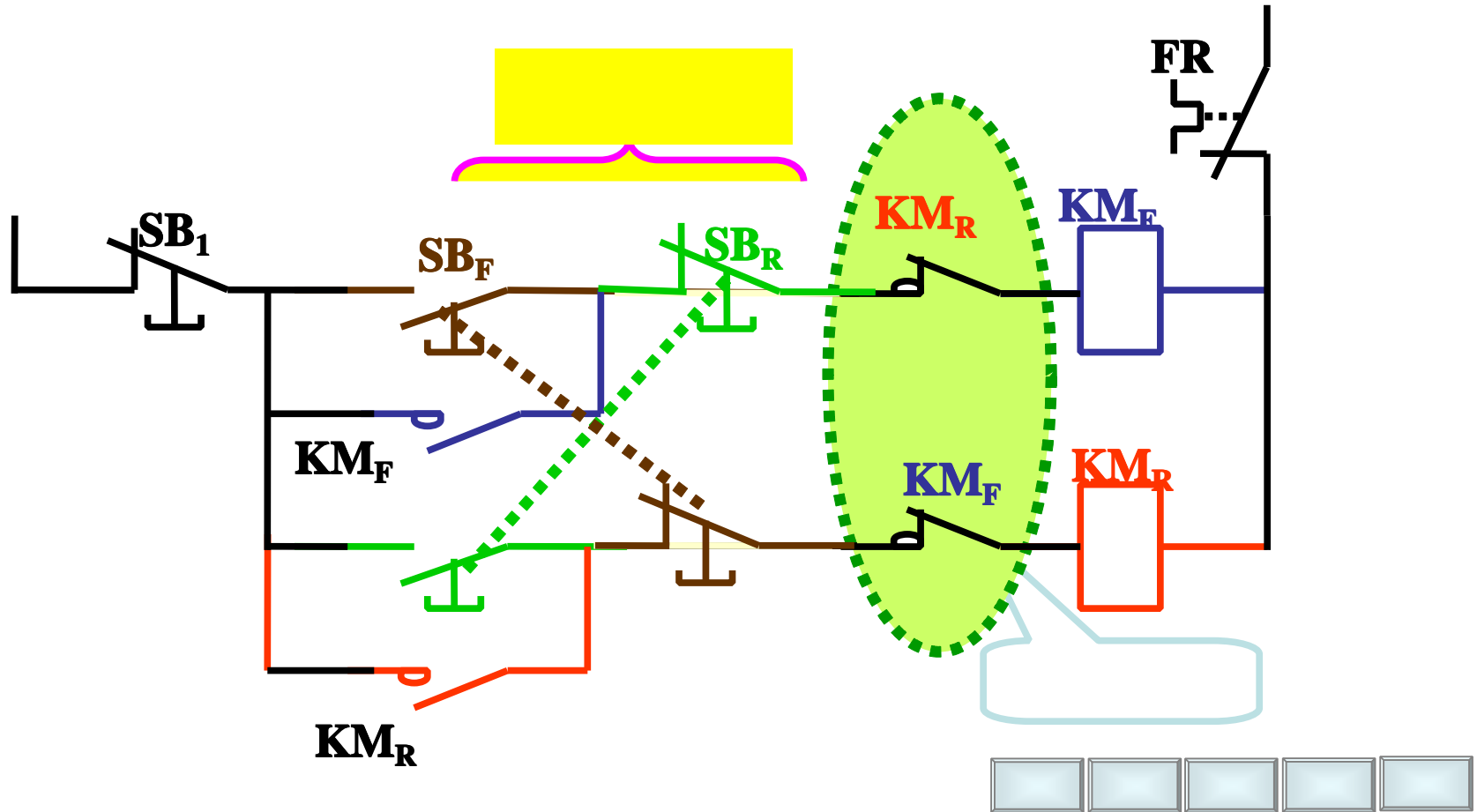
SB_R

SB_F

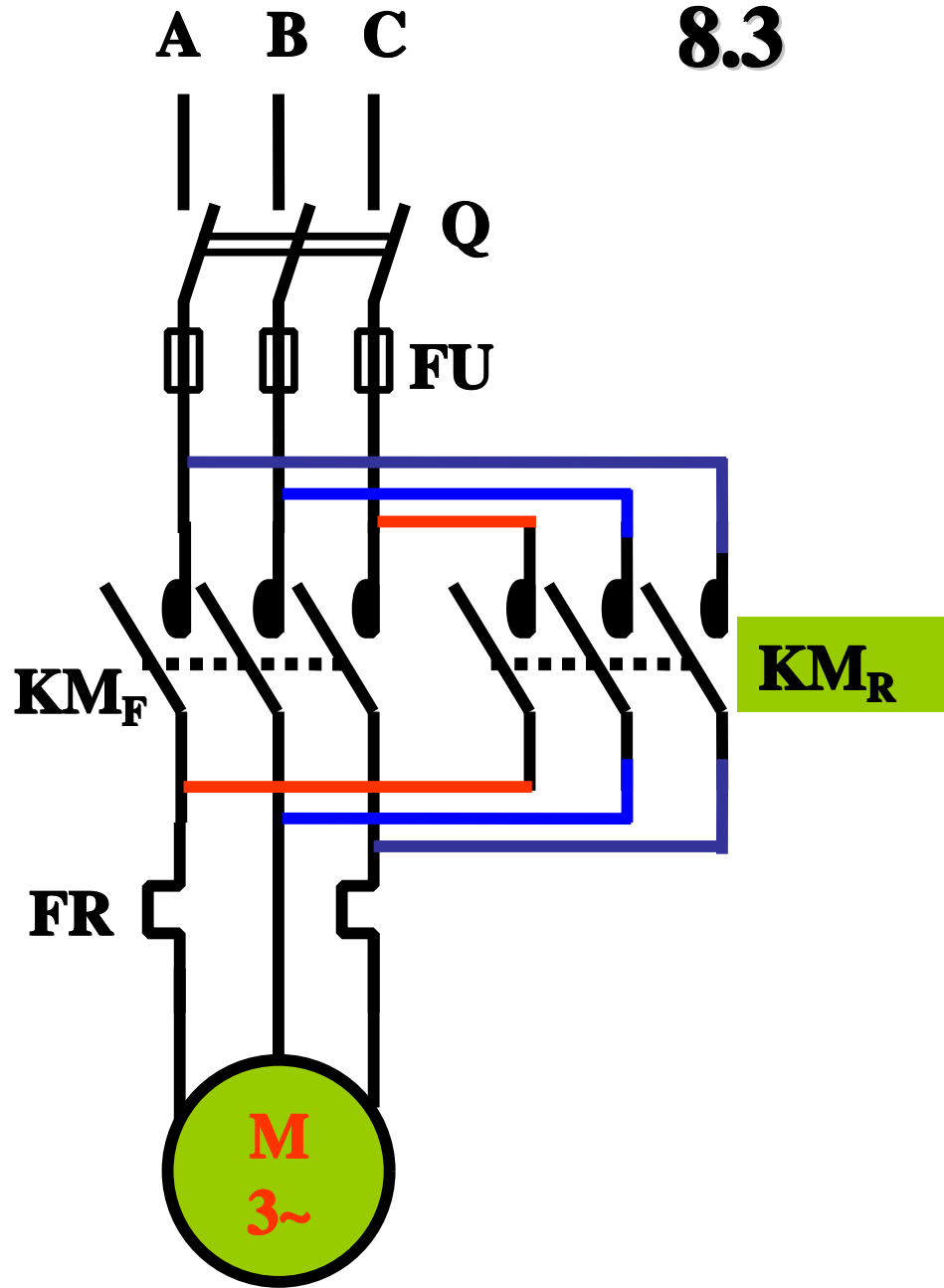




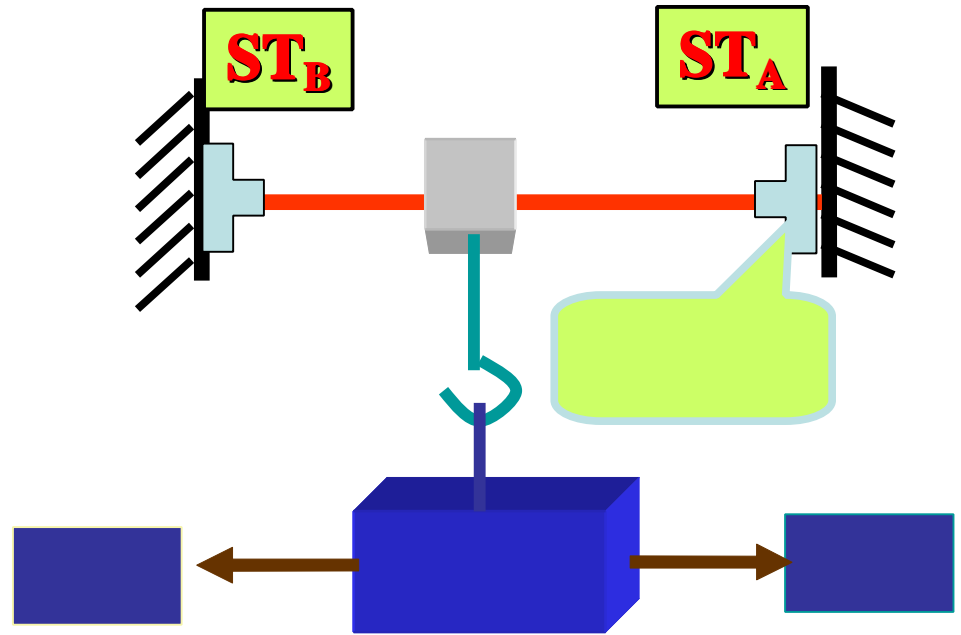
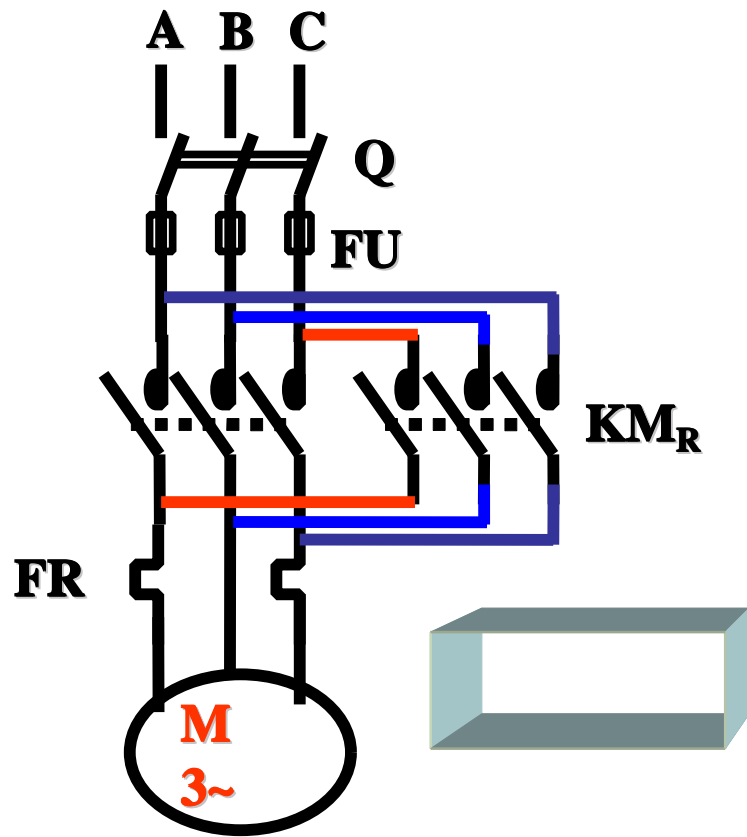
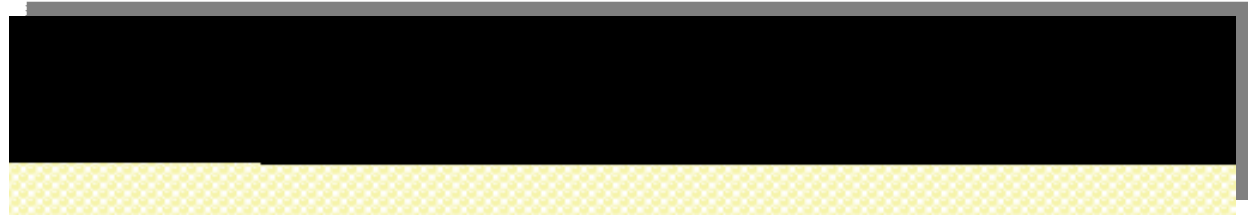
5.



8.3



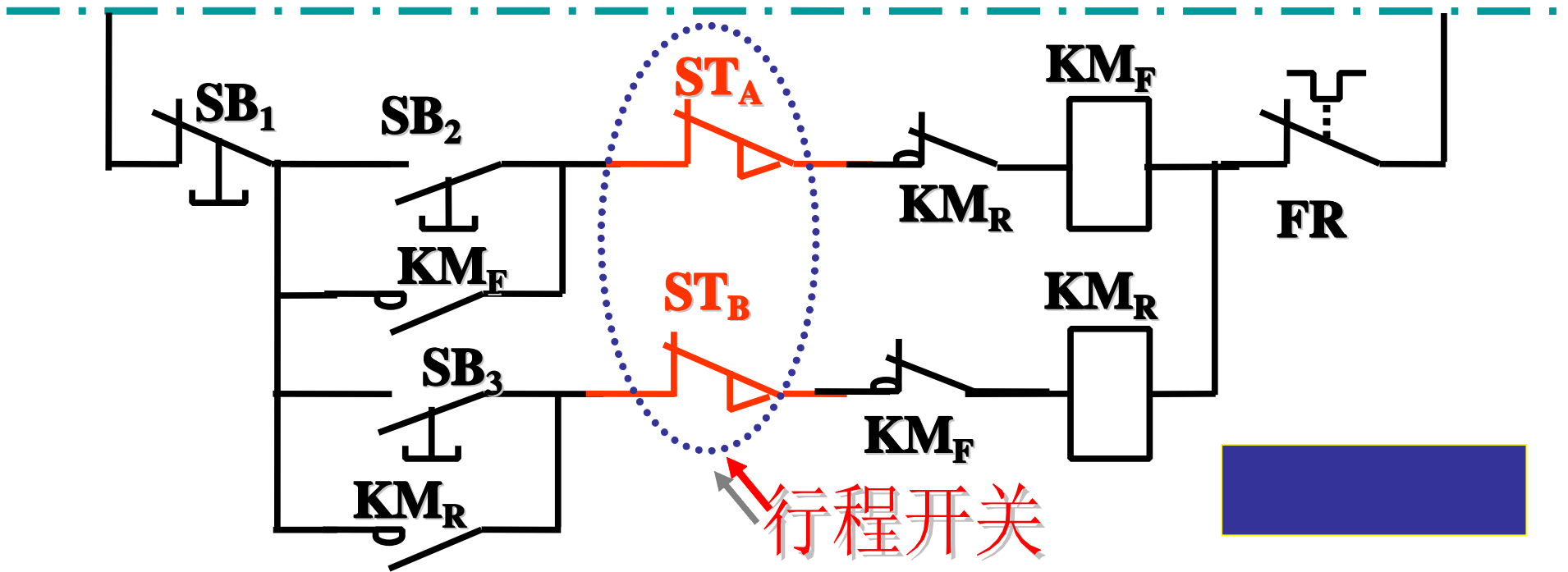
1.



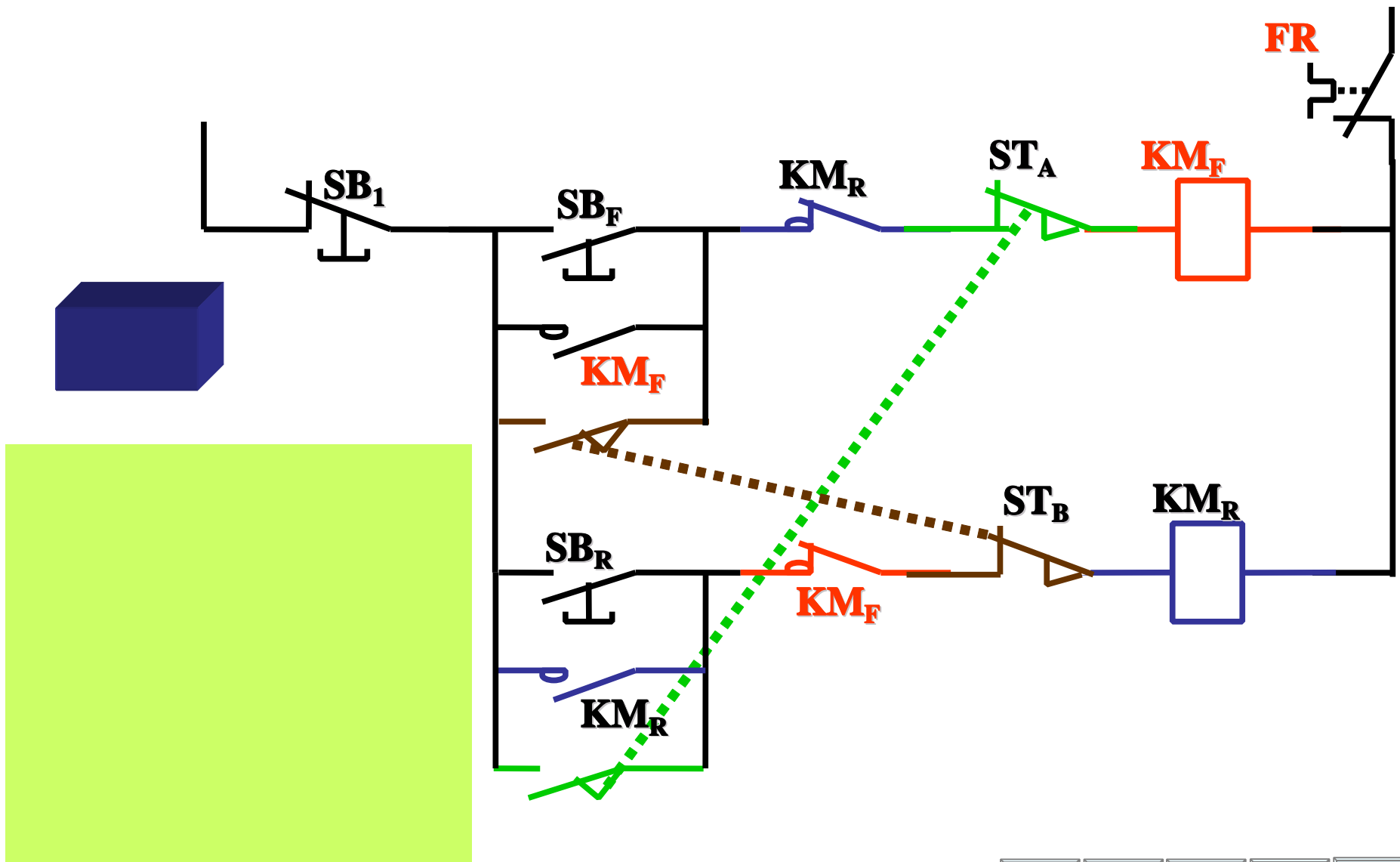
SB₂↓



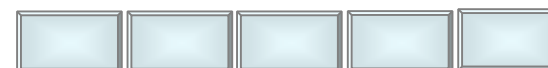
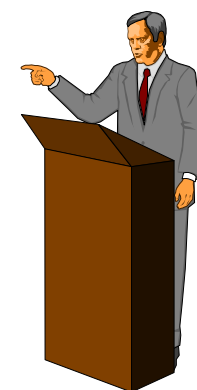
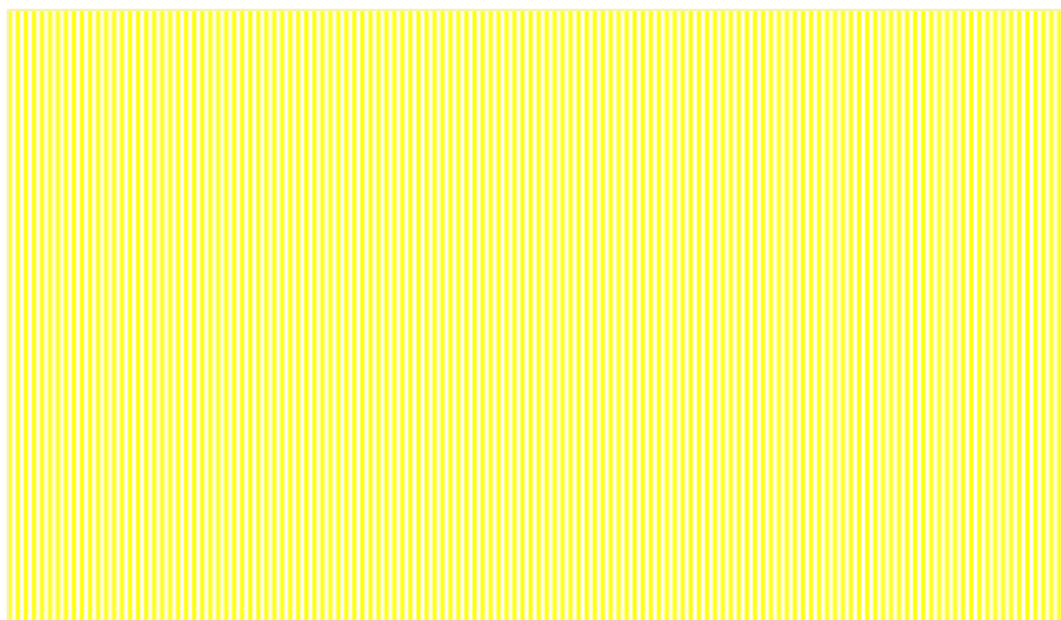
ST_A



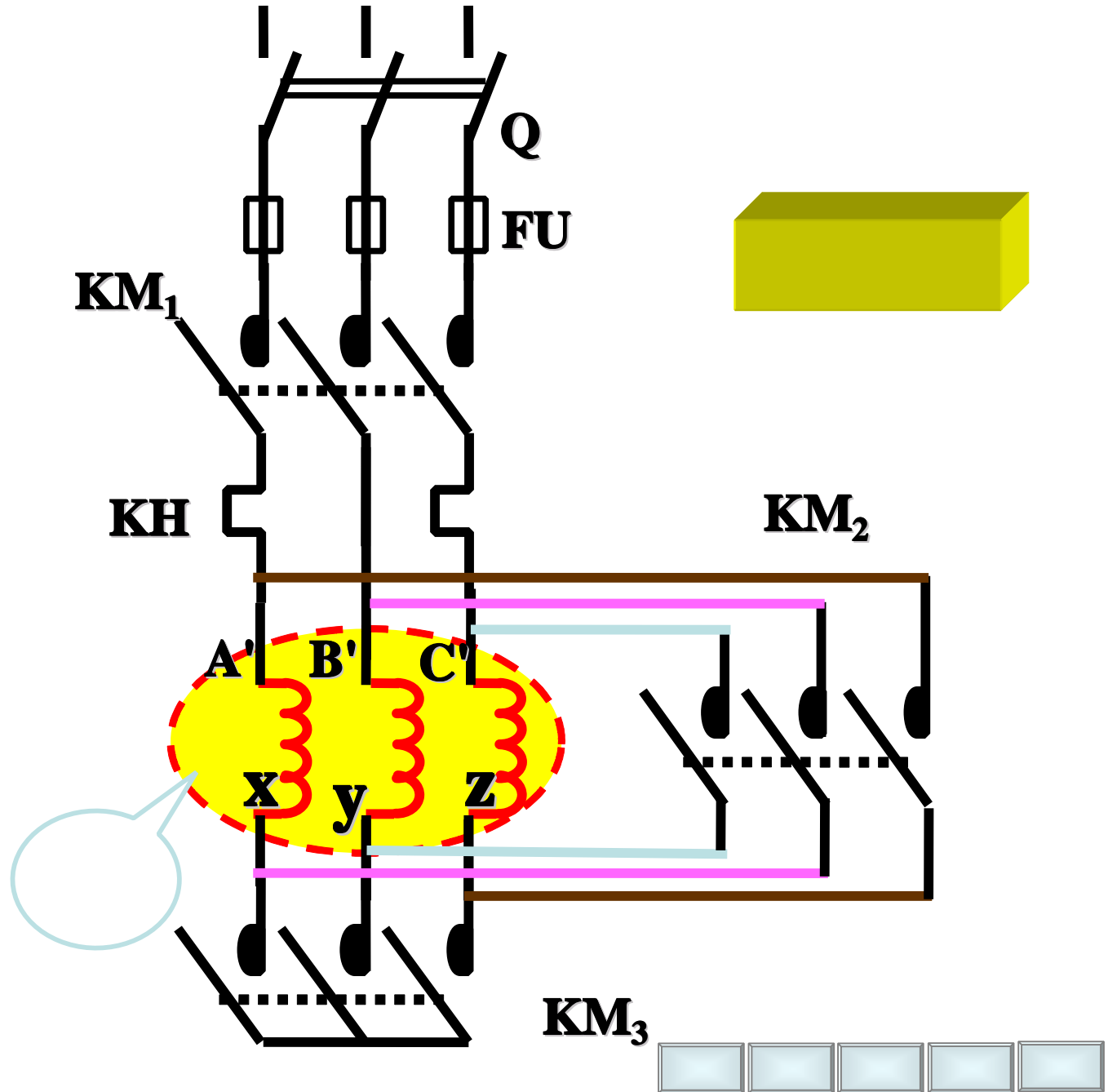
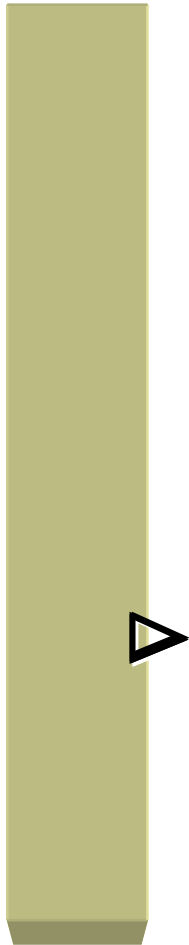
2.

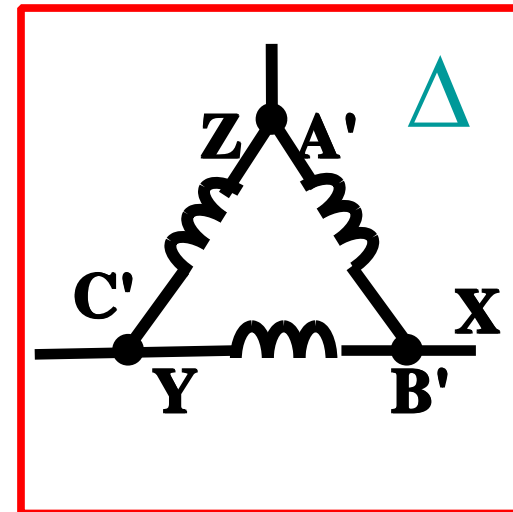
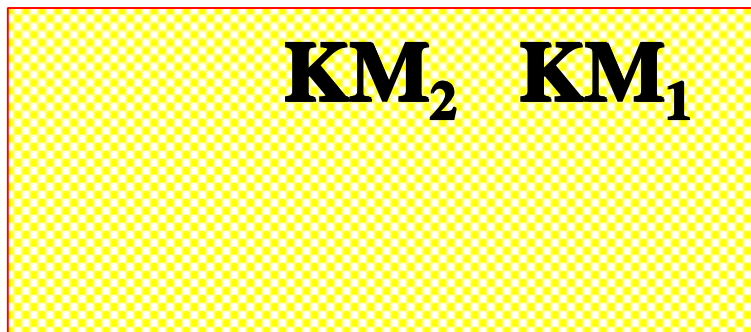
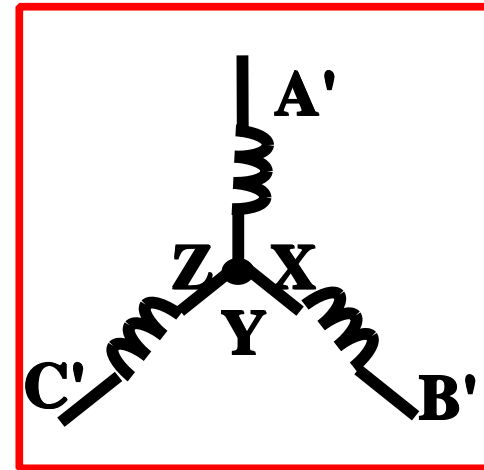
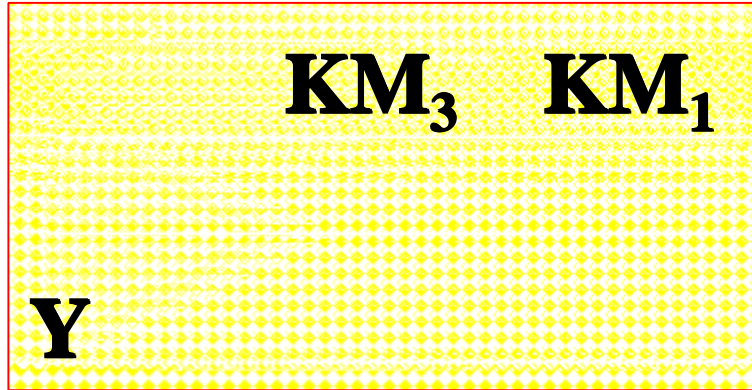


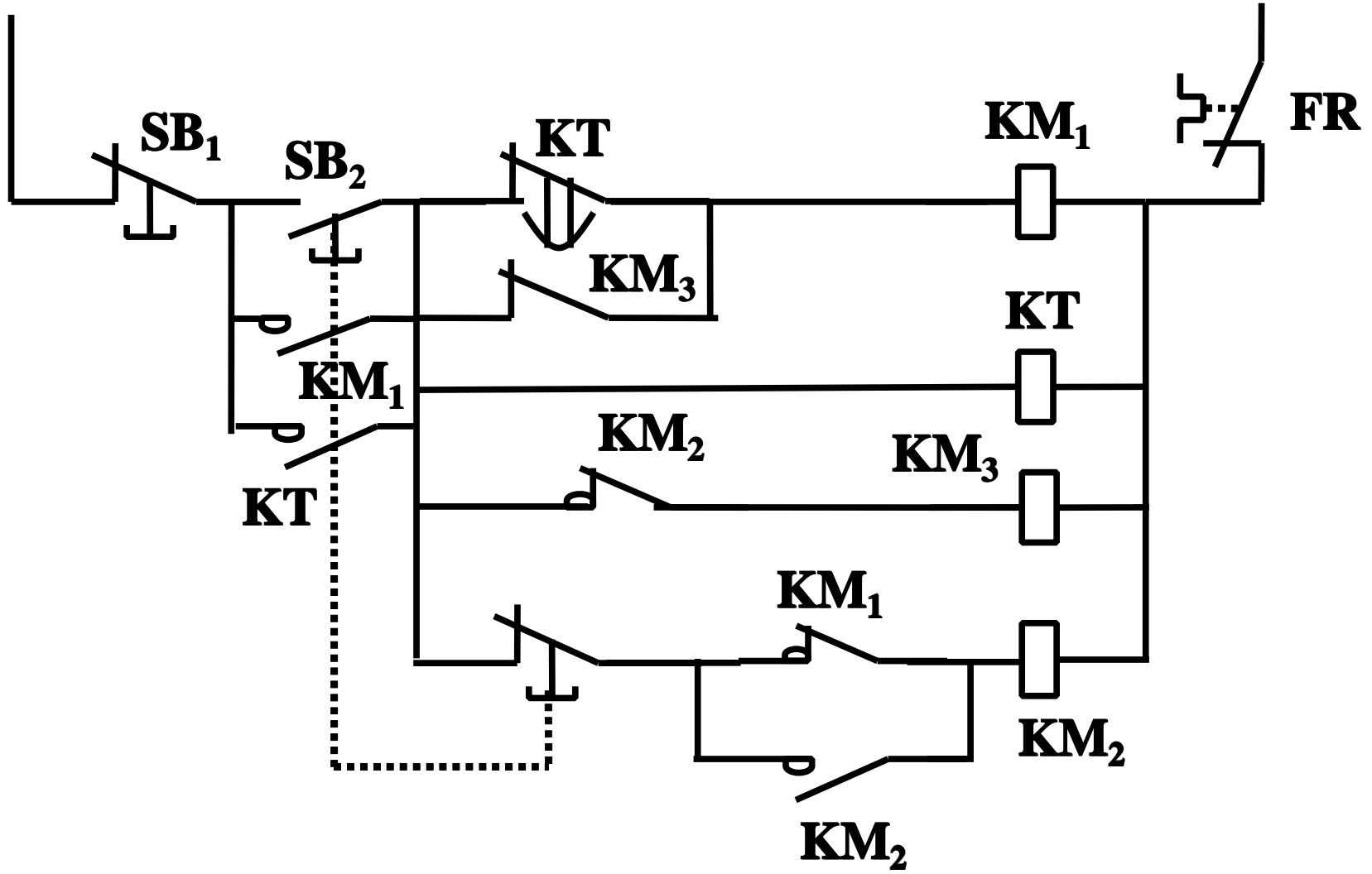
提示

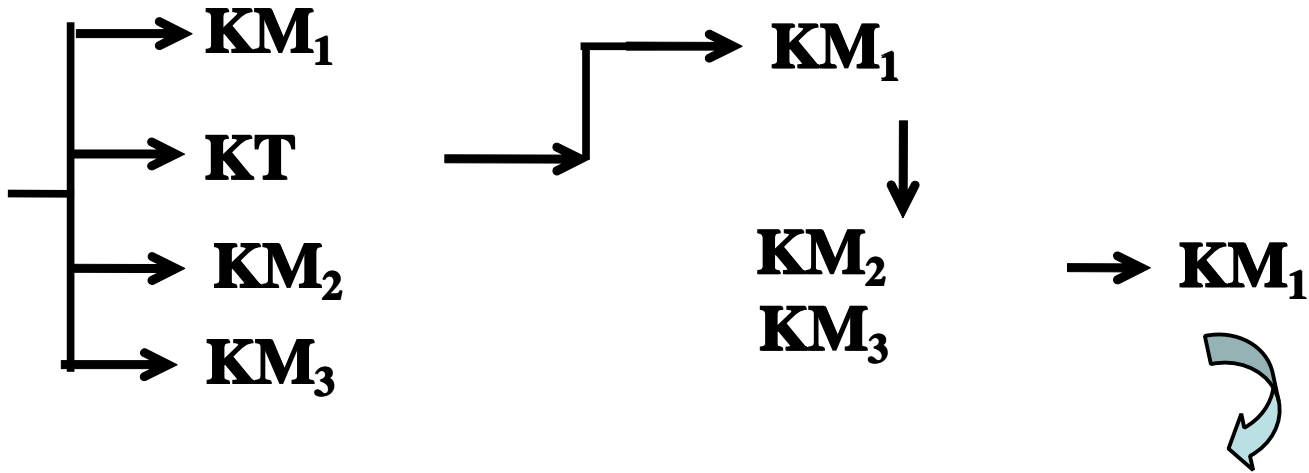
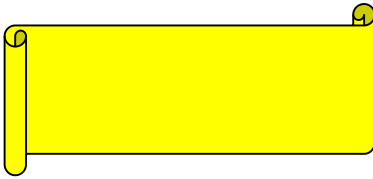
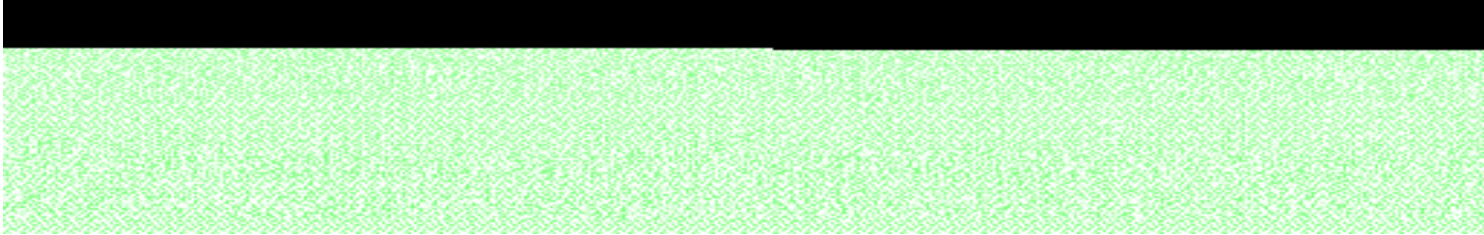


8.4



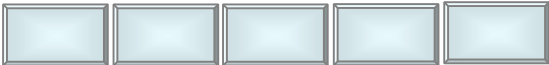






Y

⇒ Δ



8.5

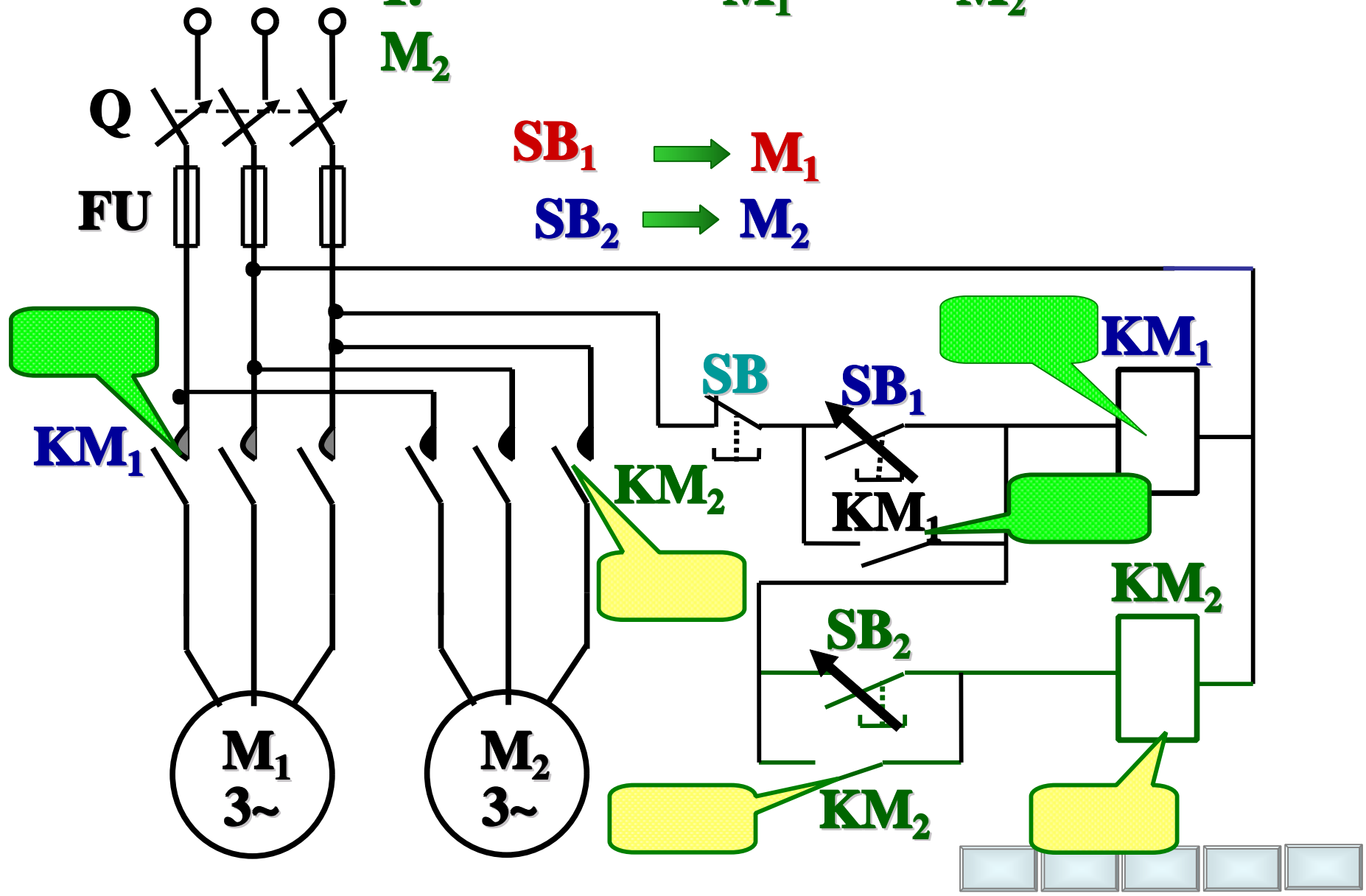
1. M_2

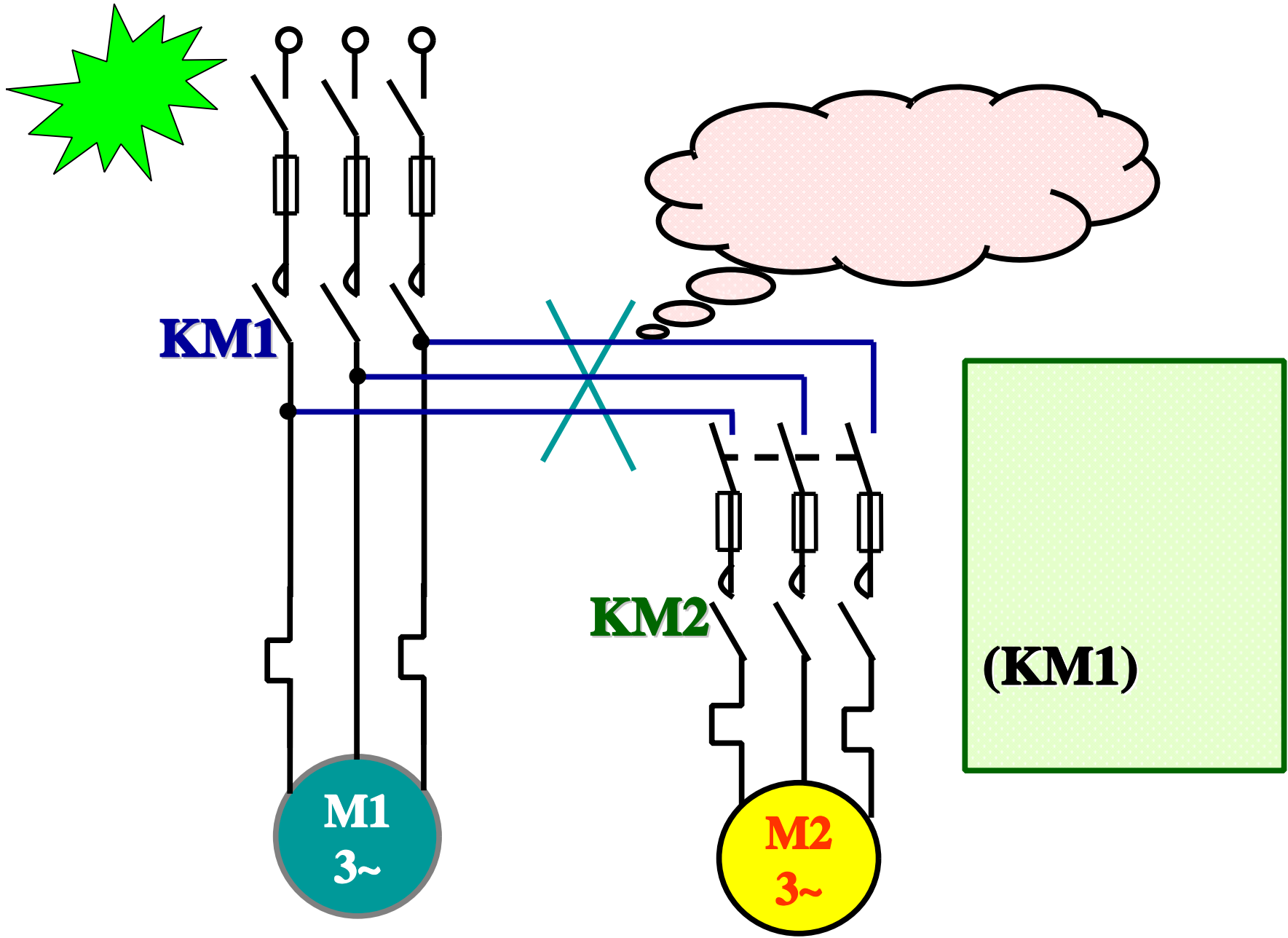
M_1

M_2

$SB_1 \rightarrow M_1$

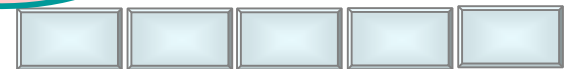
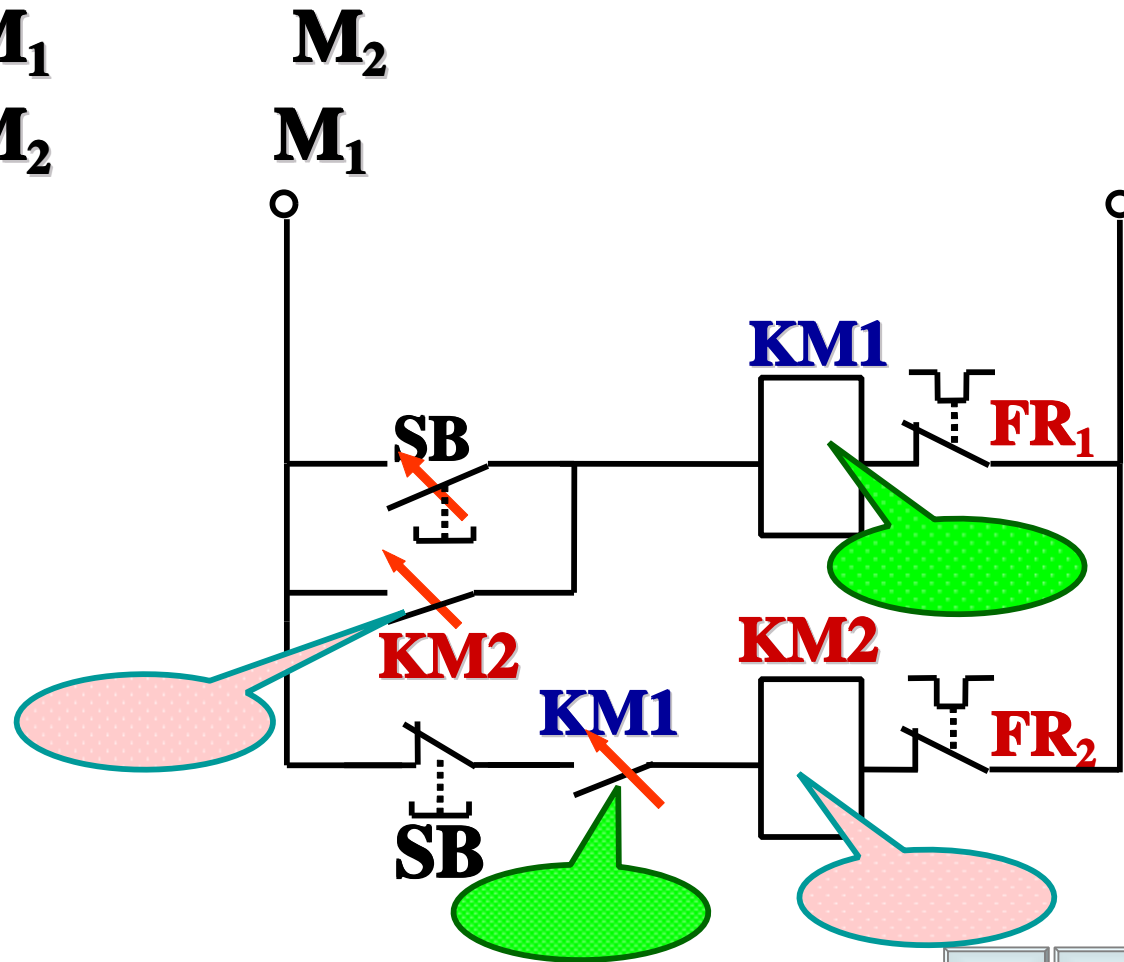
$SB_2 \rightarrow M_2$



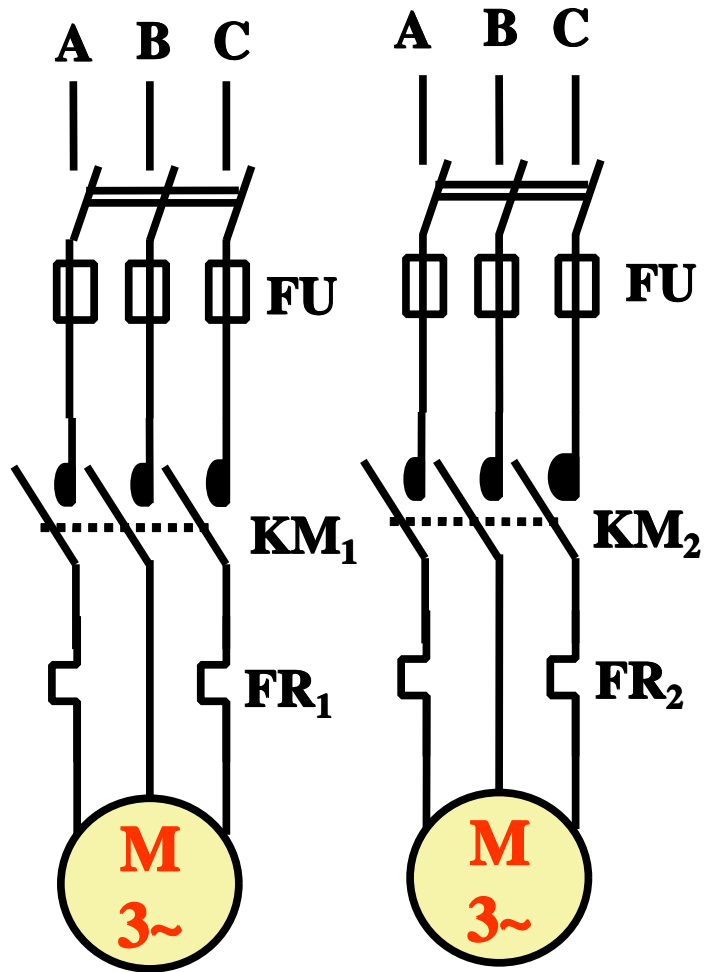


1

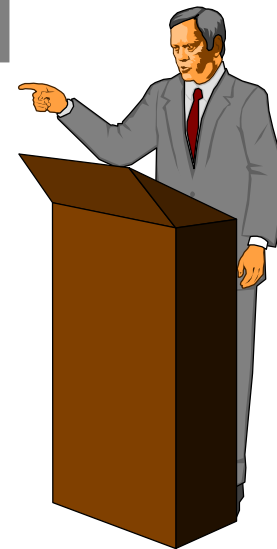
: M₁
: M₂

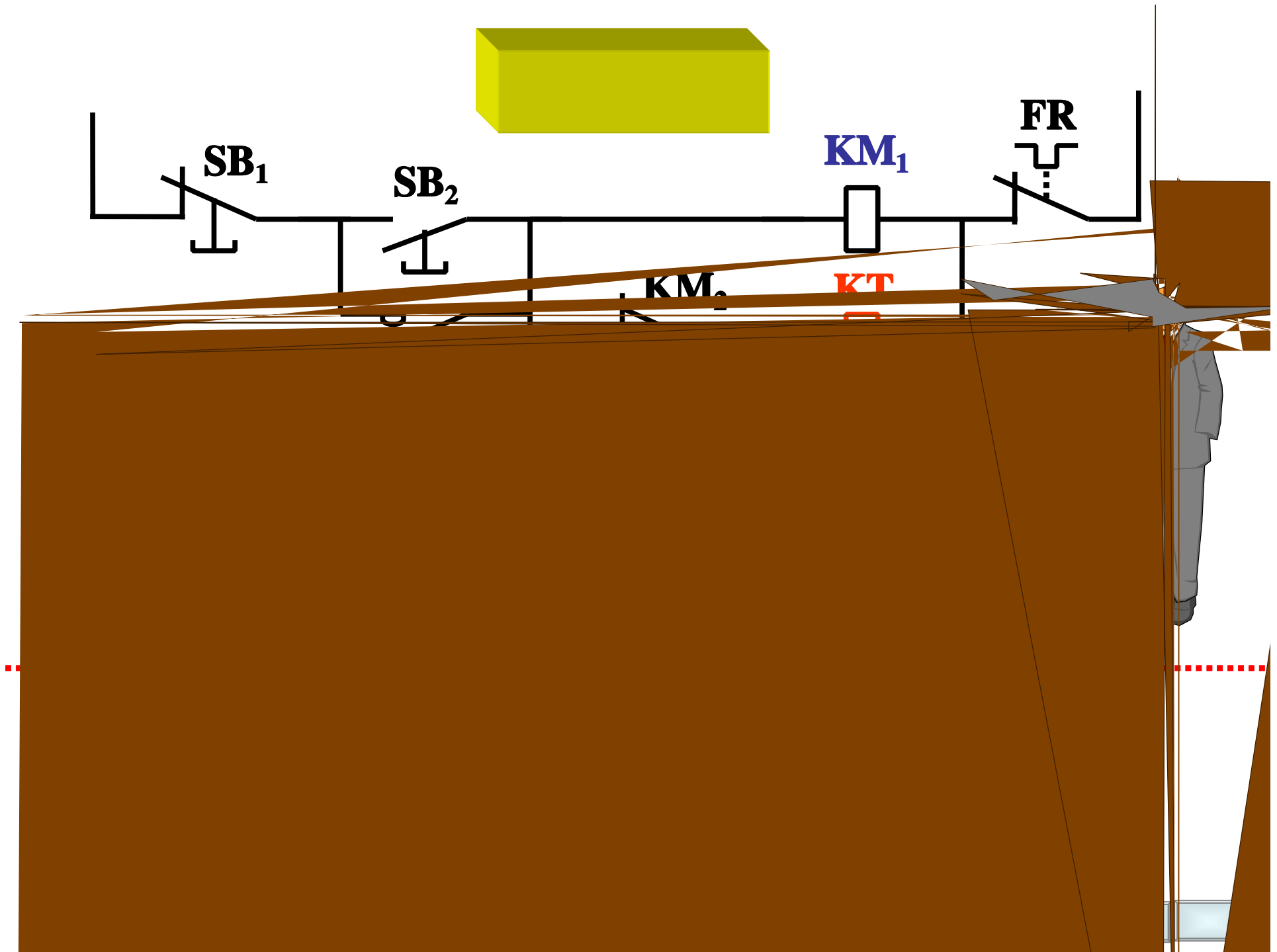


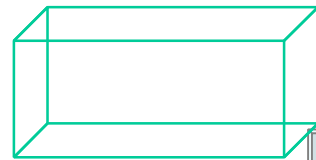
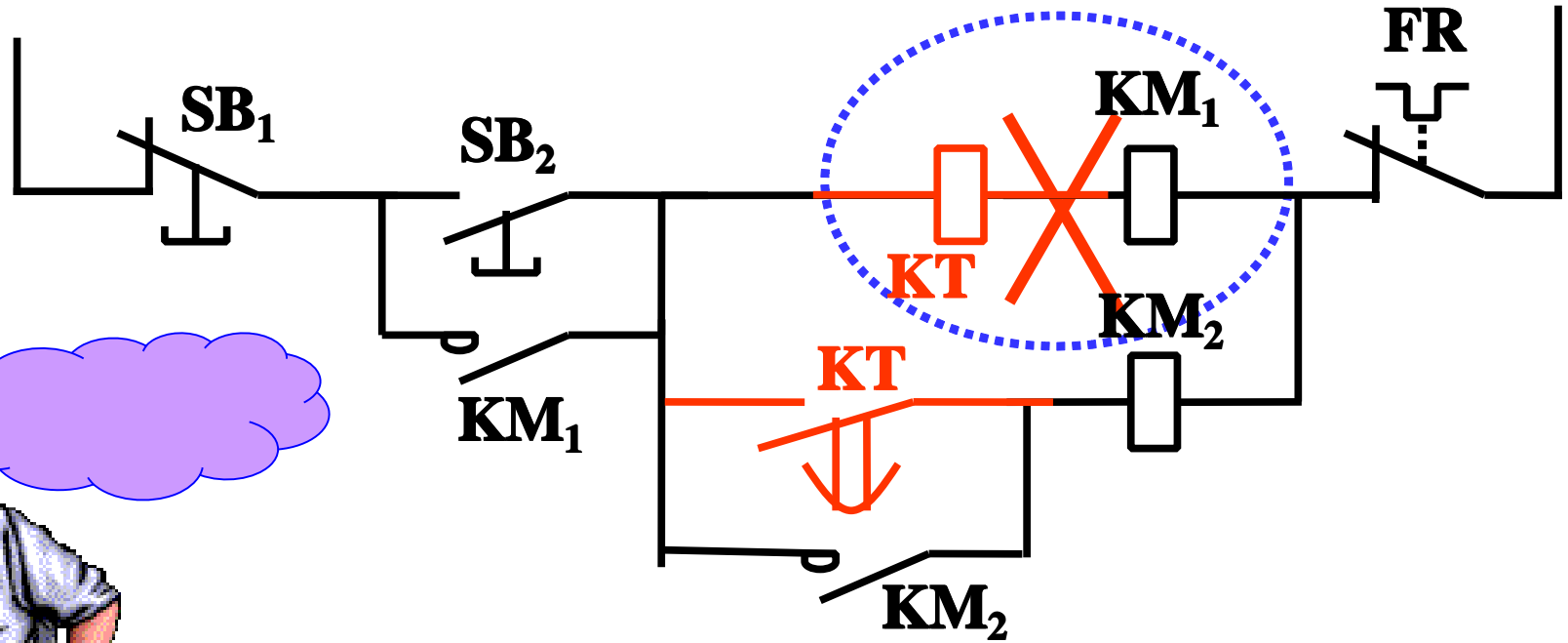
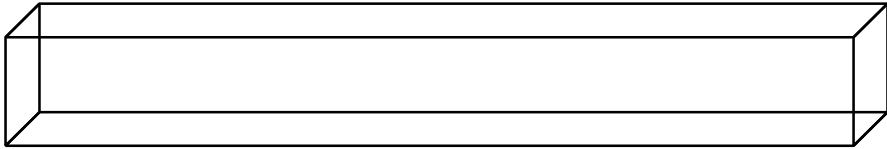
2.



M1
M2







1.

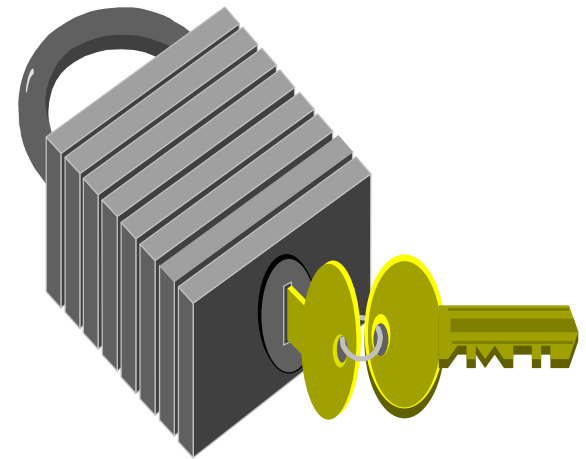
A
B

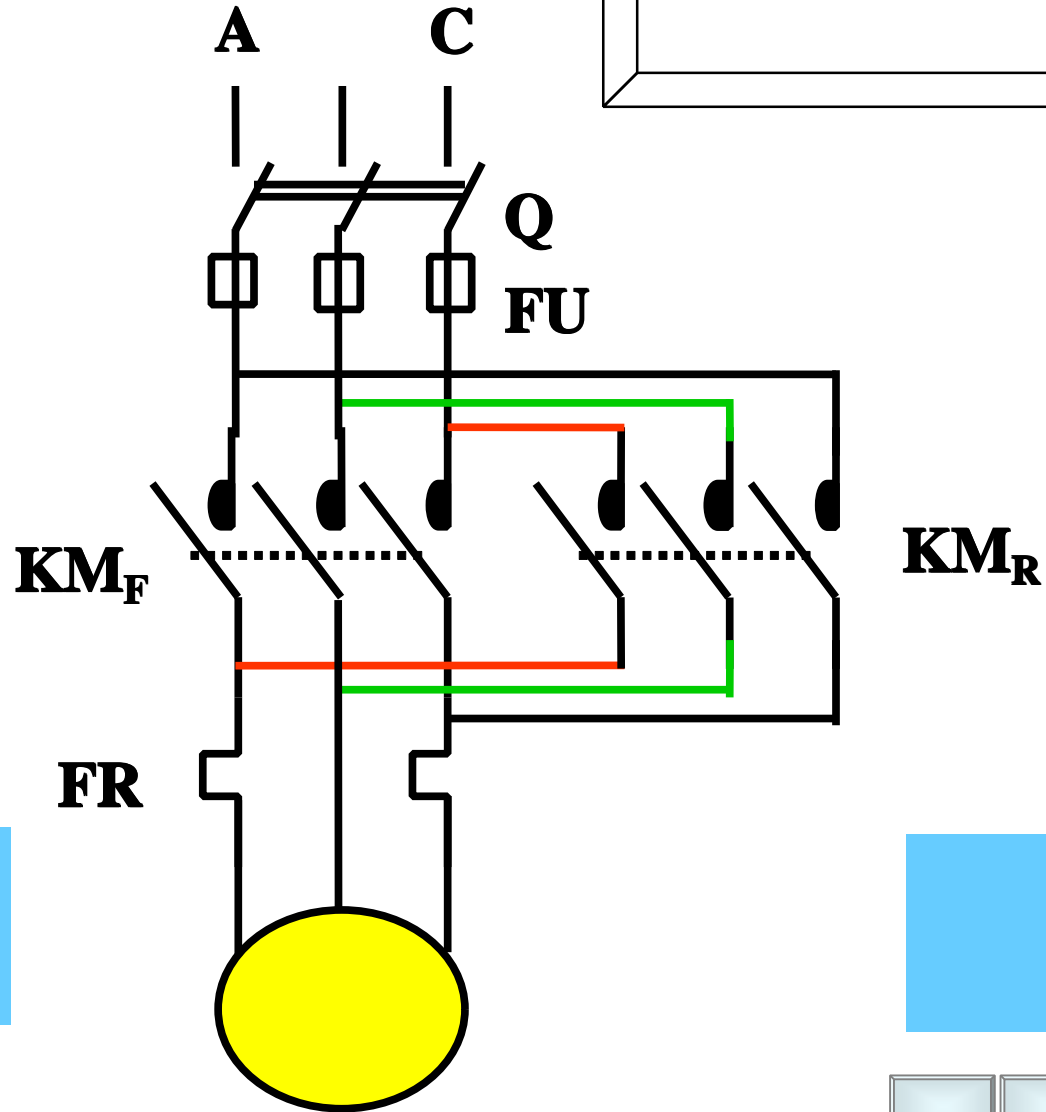
1
1

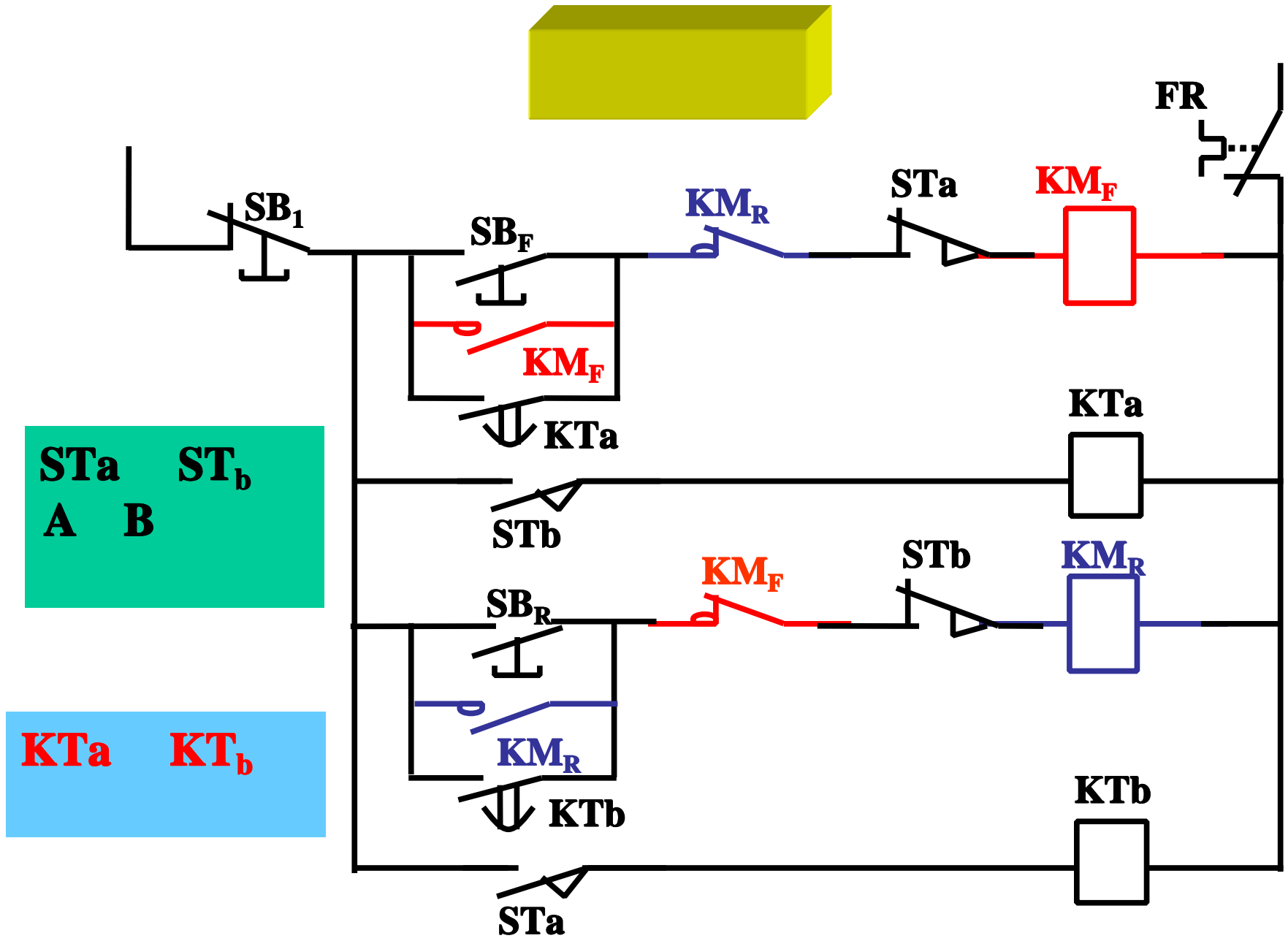
A

B
A

2.







ST_a ST_b
A B

KT_a KT_b

